







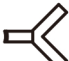


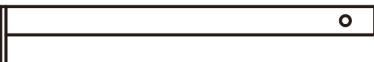
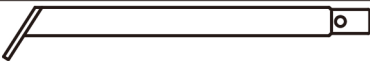


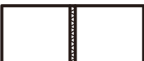






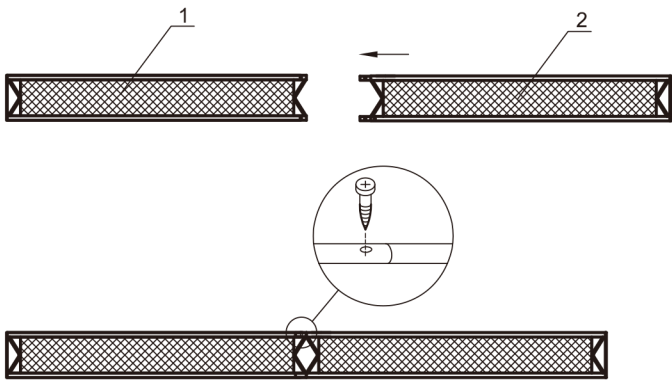


## Art Steel Gazebo-with sidewalls

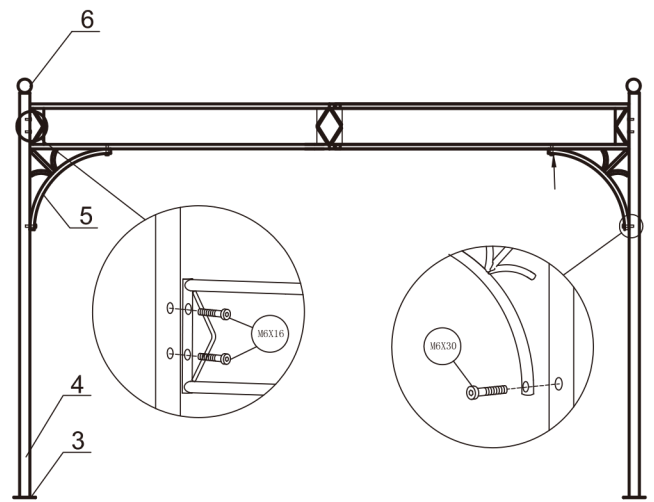


PARTS		No.	QTE
	Frame 1	1#	4
	Frame 2	2#	4
	Base plate	3#	4
	Leg pole	4#	4
	Decorative flower	5#	8
	Top Decorative ball	6#	4
	Lower Girder	7#	8
	Corner connector 2	8#	4
	Corner connector	9#	4
	Gazebo Rib Connector	10#	1
	Higher Girder	11#	4
	Strengthen Pole	12#	4
	Strengthen Pole	13#	4
	Top Decorative ball	14#	1
	Canopy	15#	1
	Side wall	16#	4
	M6x16mm BOLT	17#	40
	M6x30mm BOLT	18#	16
	ST4.2x12 BOLT	19#	8
	Spike	20#	36
	Tool	21#	1
	Plastic Ring	22#	40

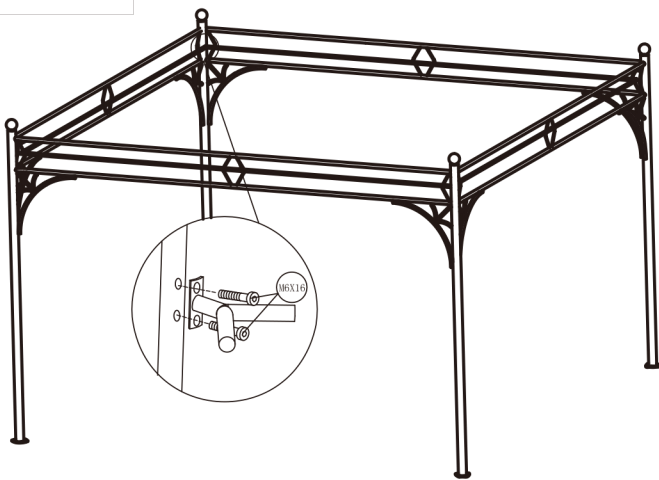
STEP 1



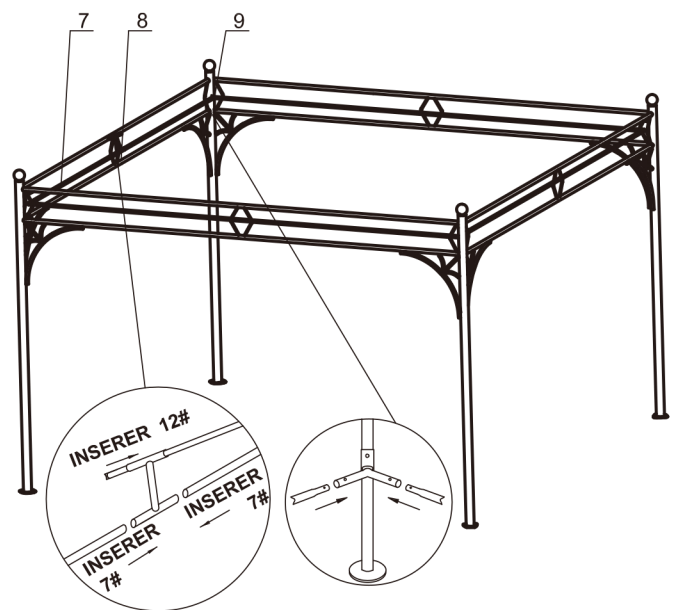
STEP 2



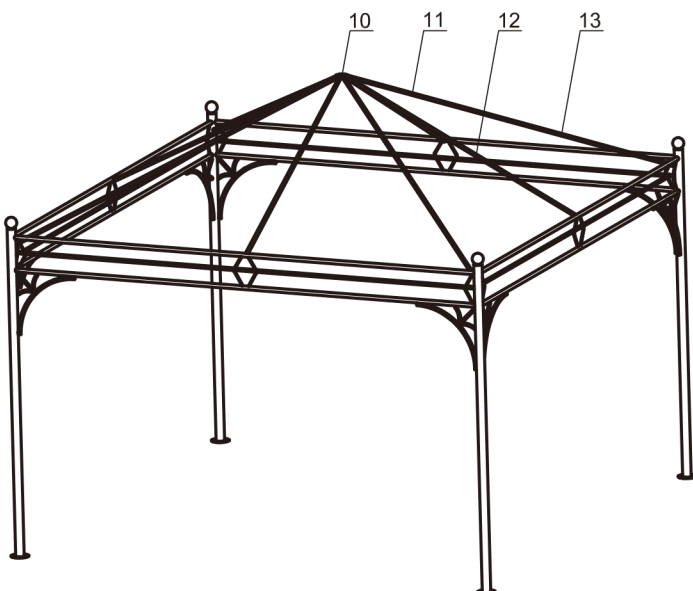
STEP 3



STEP 4



STEP 5



STEP 6

