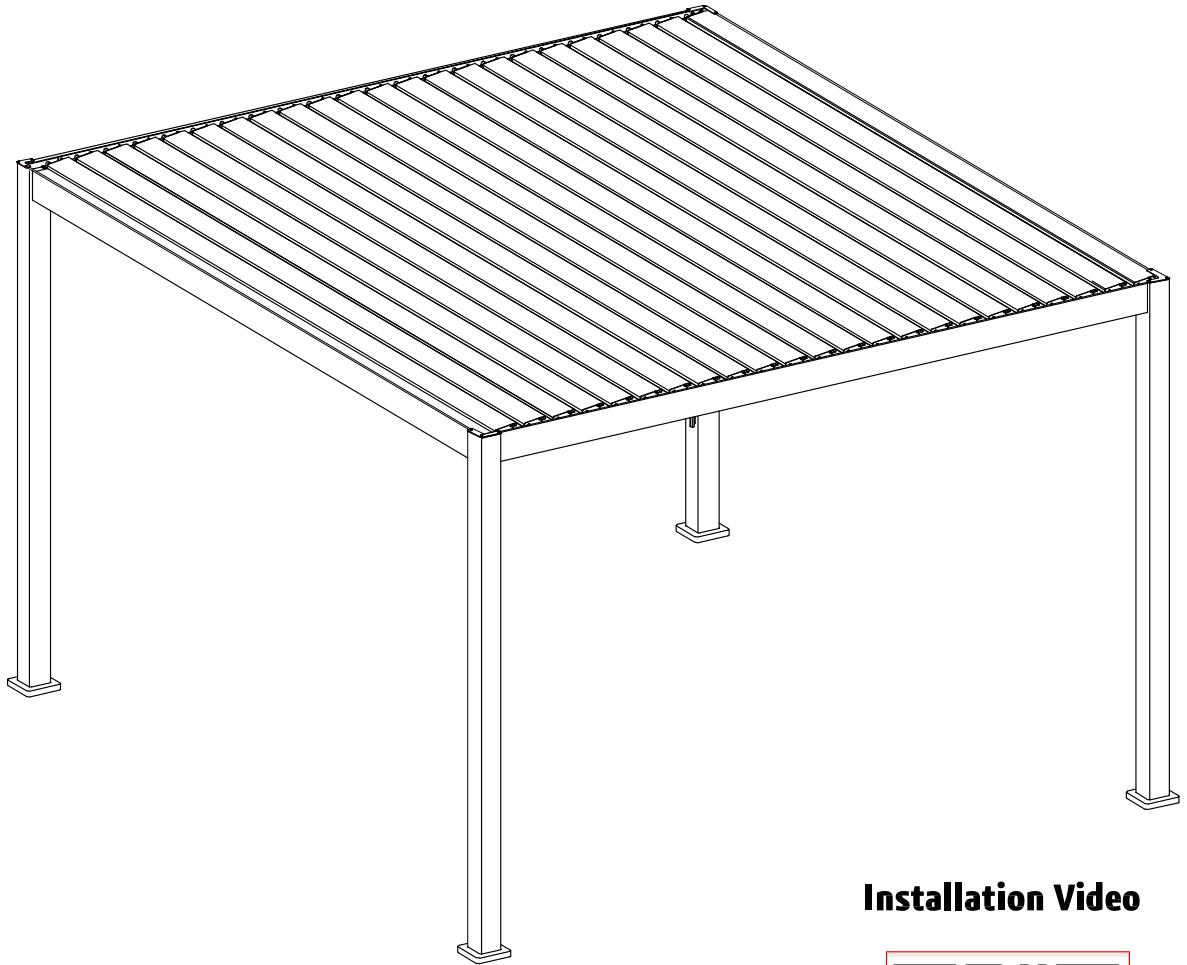


MIRADOR™ 3.6x3.6m

User Manual



Installation Video



After-Sale Service Hotline: (+31)(0)40 780 4397

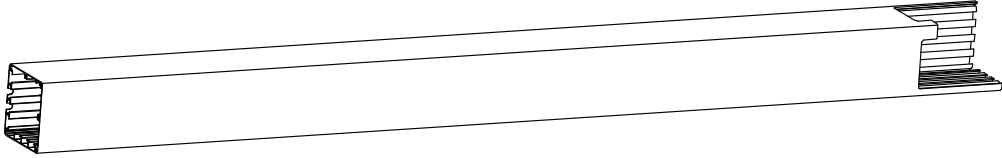
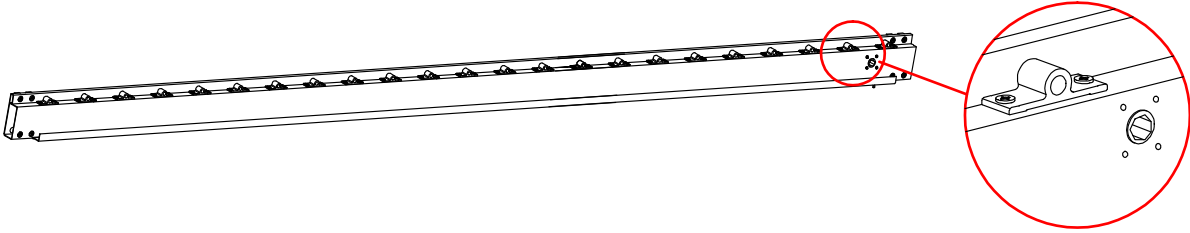
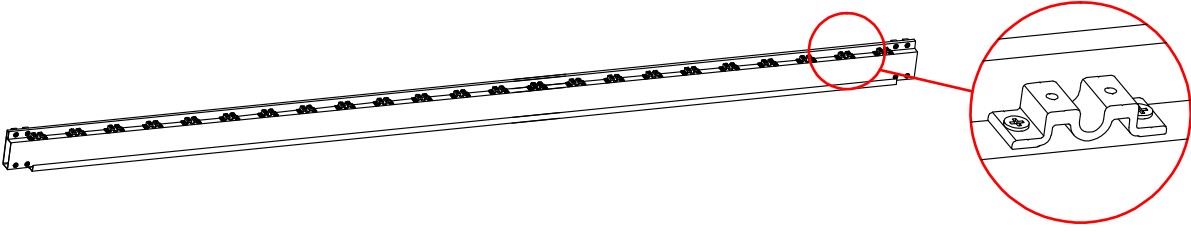
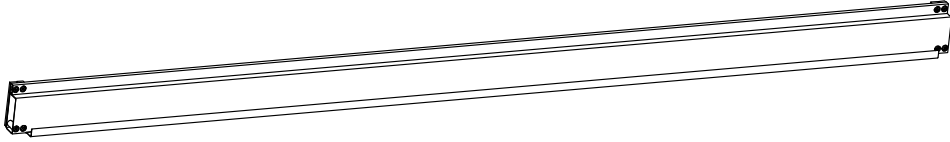
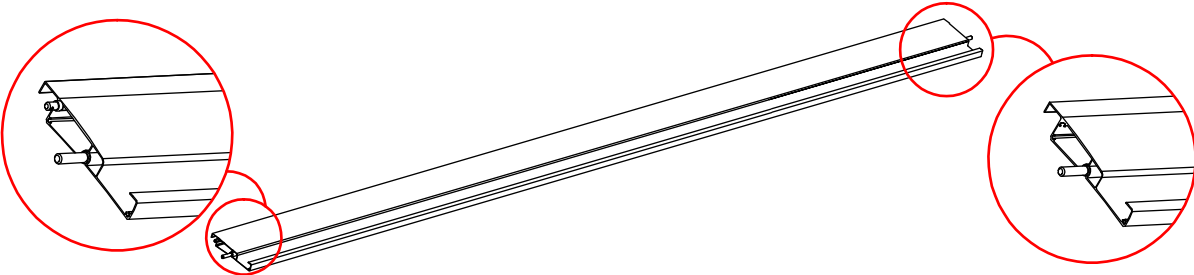
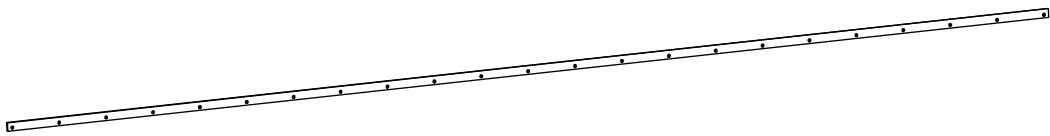

Address

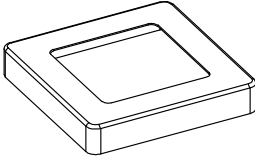
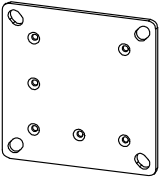
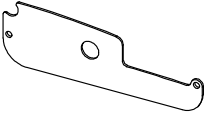

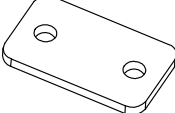
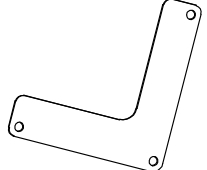
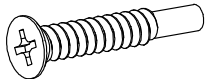
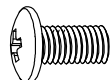
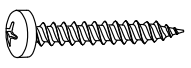
Park 51, Nuenen, The Netherlands

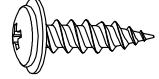
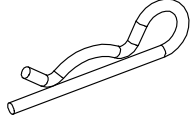

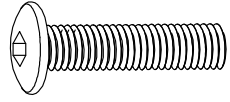
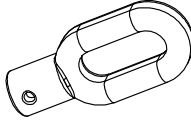
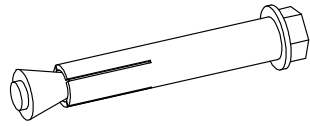

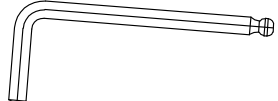
Postal code: 5671 GC

E-mail address: info@sorara.eu

| | REF | QTY | REF | QTY | REF | QTY |
|---------------|----------------|-------|------|-------|-----|-------|
| Carton 1/4 | (A) | 4PCS | (I) | 4PCS | (J) | 4PCS |
| | (K) | 45PCS | (L) | 1PC | (M) | 23PCS |
| | (N) | 4PCS | (O) | 24PCS | (P) | 48PCS |
| | (Q) | 96PCS | (R) | 12PCS | (S) | 25PCS |
| | (T) | 1PC | (U) | 1PC | (V) | 1PC |
| | (W) | 16PCS | (X) | 1PC | (Y) | 2PCS |
| | User Manual | 1SET | | | | |
| Carton 2/4 | (B1) | 1PC | (B2) | 1PC | (C) | 2PCS |
| | (G) | 1PC | (H) | 1PC | | |
| Carton 3/4 | (D) | 12PCS | | | | |
| Carton 4/4 | (D) | 11PCS | | | | |

| REF | PICTURE | QTY |
|-----|--|-------|
| A |  | 4PCS |
| B1 |  | 1PC |
| B2 |  | 1PC |
| C |  | 2PCS |
| D |  | 23PCS |
| G |  | 1PC |
| H |  | 1PC |

| REF | PICTURE | QTY |
|-----|---|-------|
| I |  | 4PCS |
| J |  | 4PCS |
| K |  | 45PCS |
| L |  | 1PC |
| M |  | 23PCS |
| N |  | 4PCS |
| O |  | 24PCS |
| P |  M5x10mm | 48PCS |
| Q |  4.2x18mm | 96PCS |

| REF | PICTURE | QTY |
|-----|---|-------|
| R |  5.5x19mm | 12PCS |
| S |  | 25PCS |
| T |  | 1PC |
| U |  M6x45 | 1PC |
| V |  | 1PC |
| W |  | 16PCS |
| X |  | 1PC |
| Y |  | 2PCS |
| | | |

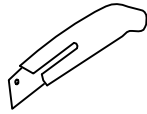
Warning

In snow season or in case of snow forecast open up your shutters in vertical position to avoid any damaging on your pergola.

What you need?



glove



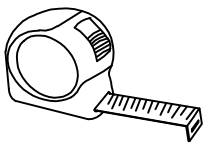
knife



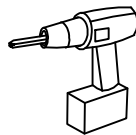
hammer



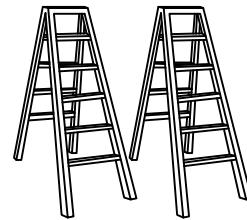
Safety hat



tapeline

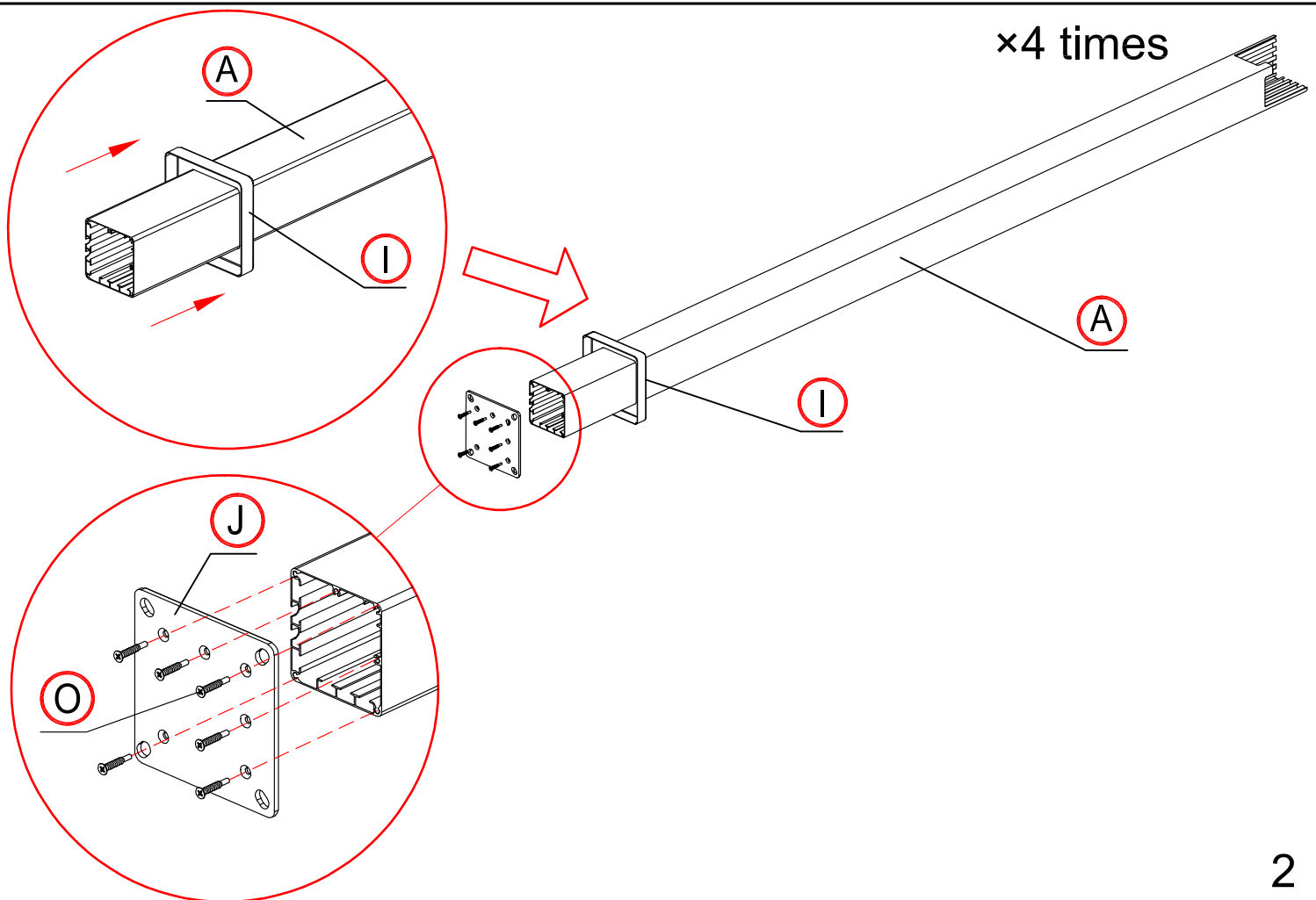


electric screw driver



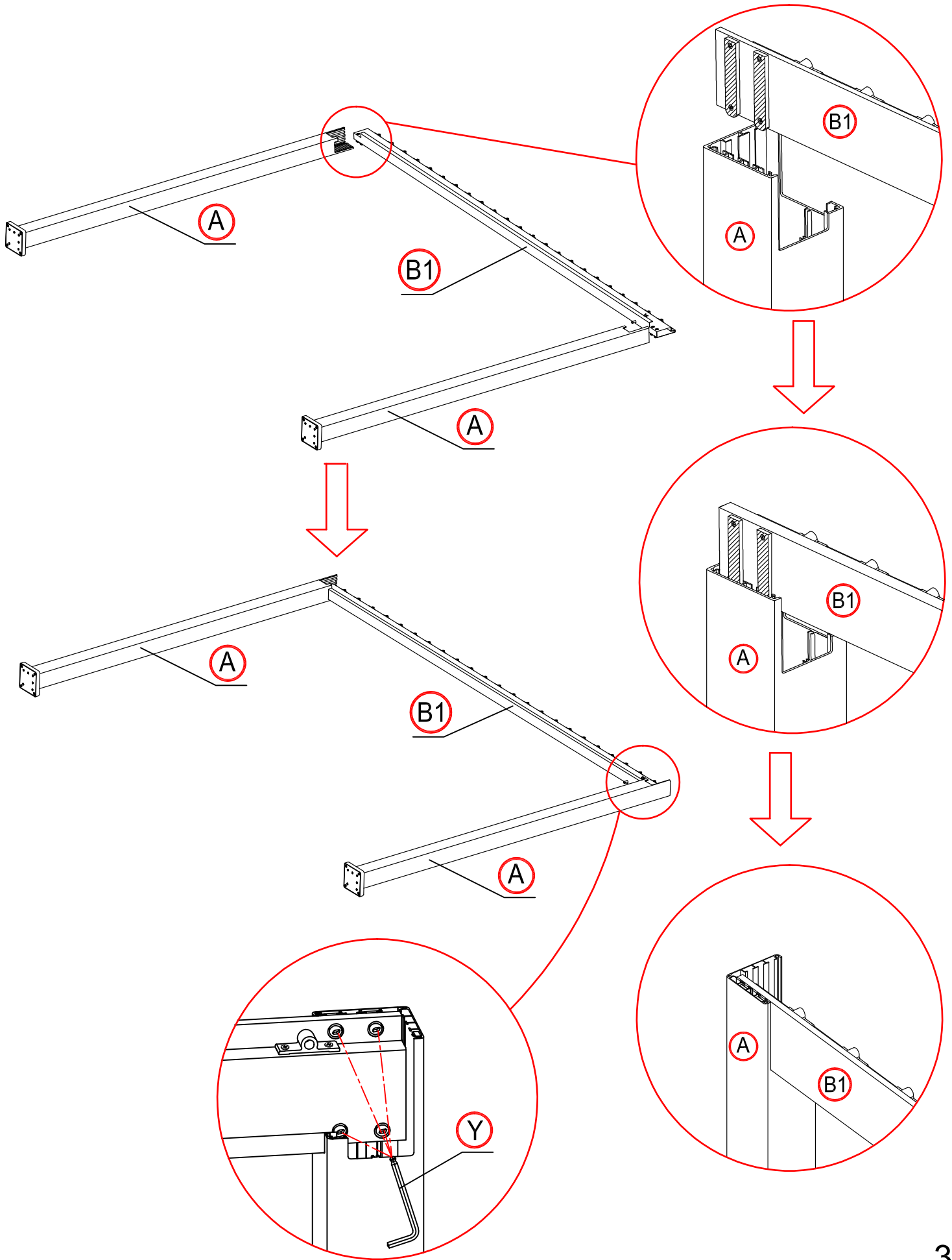
ladder

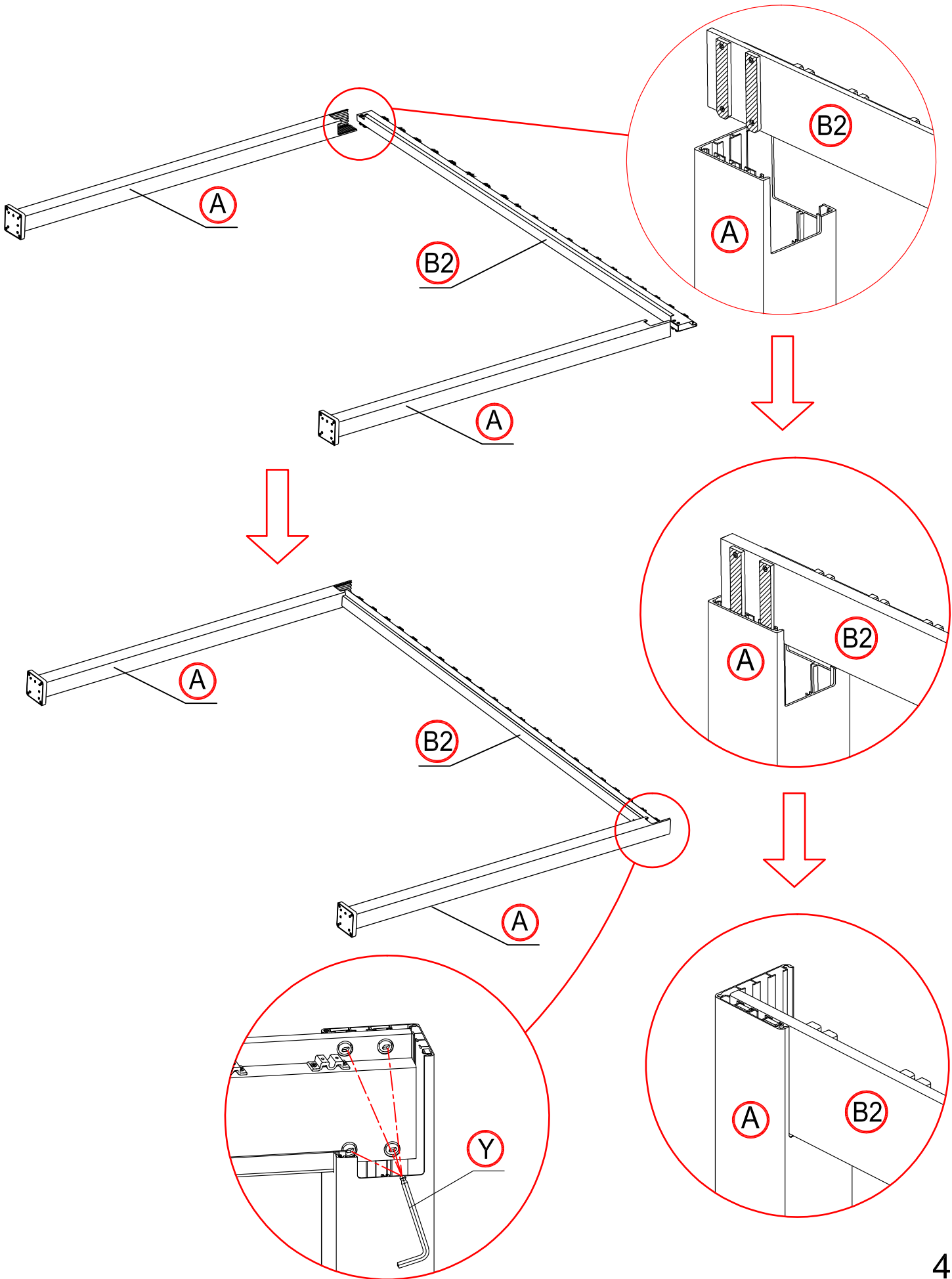
1

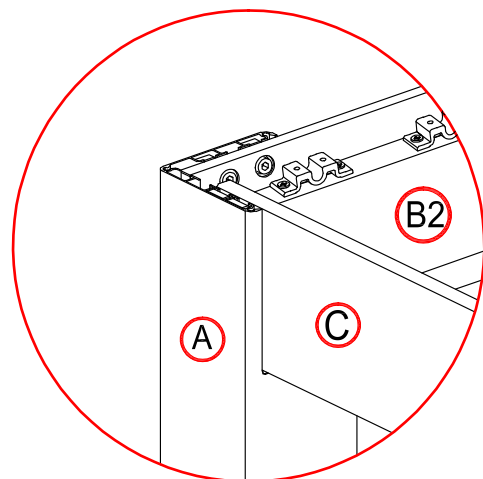
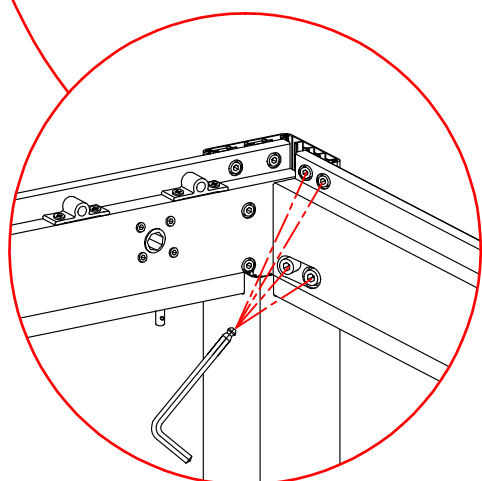
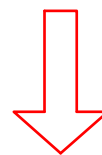
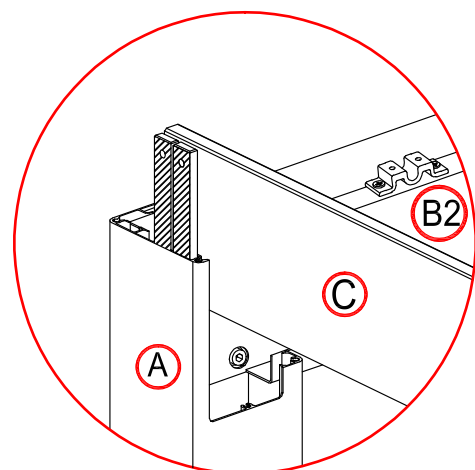
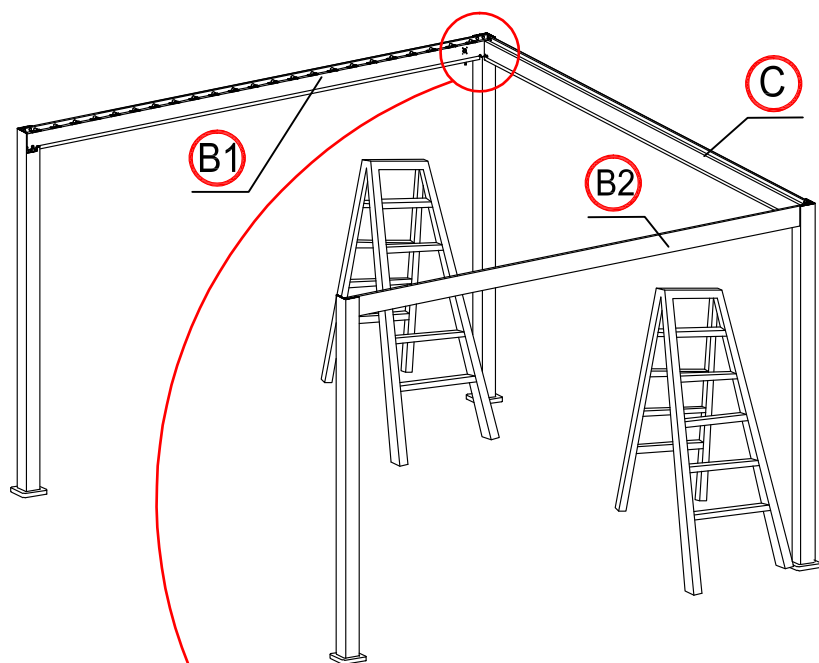
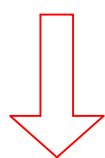
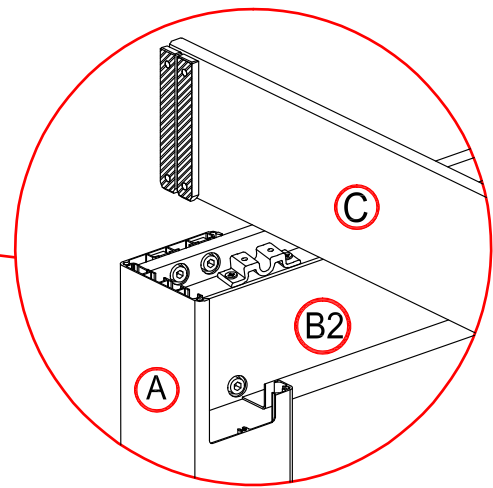
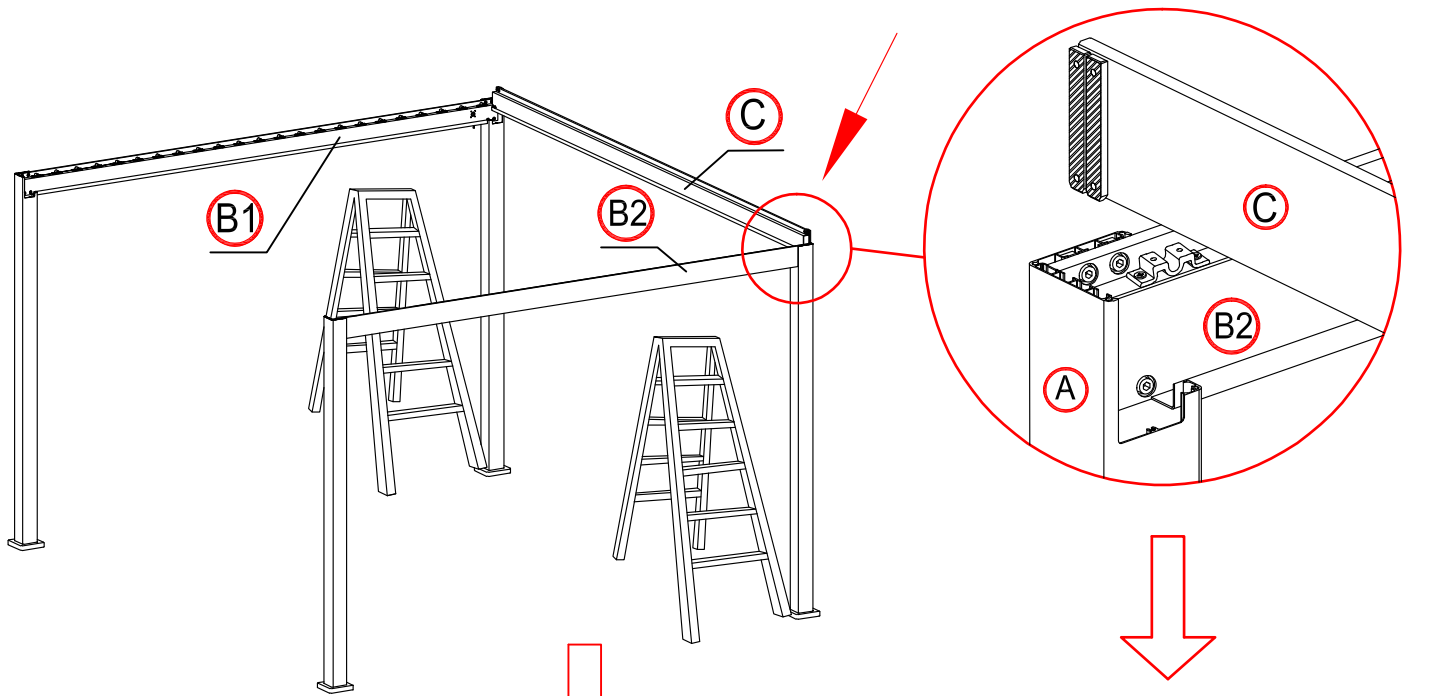


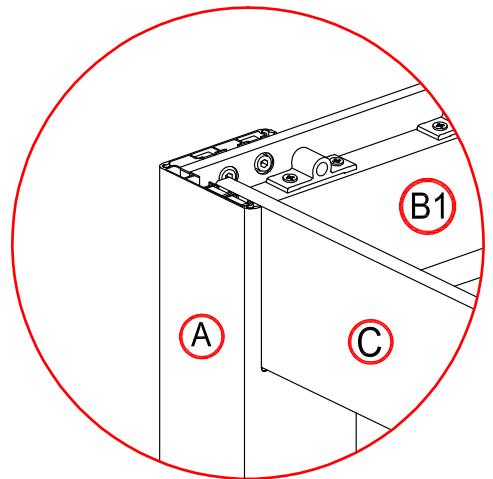
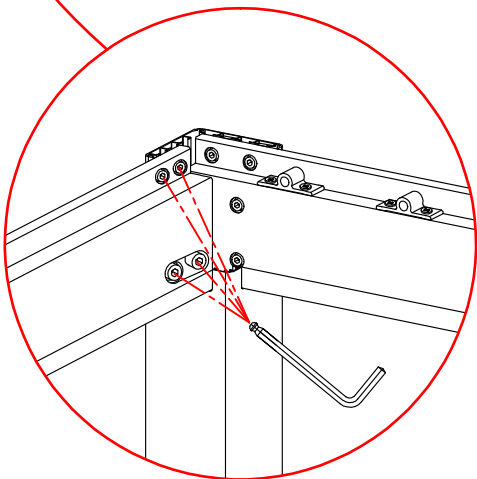
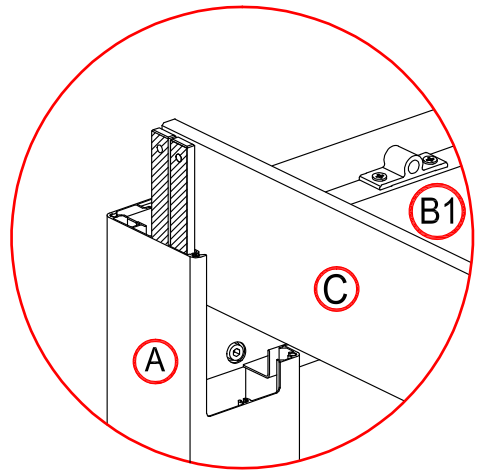
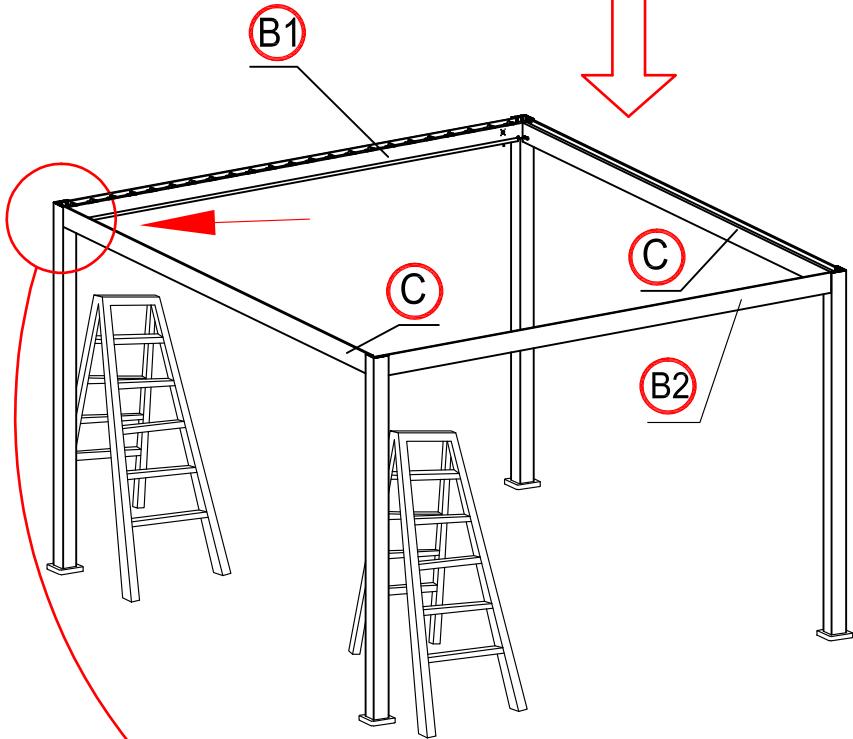
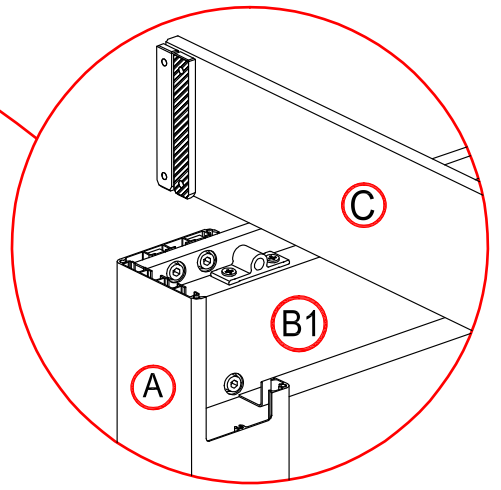
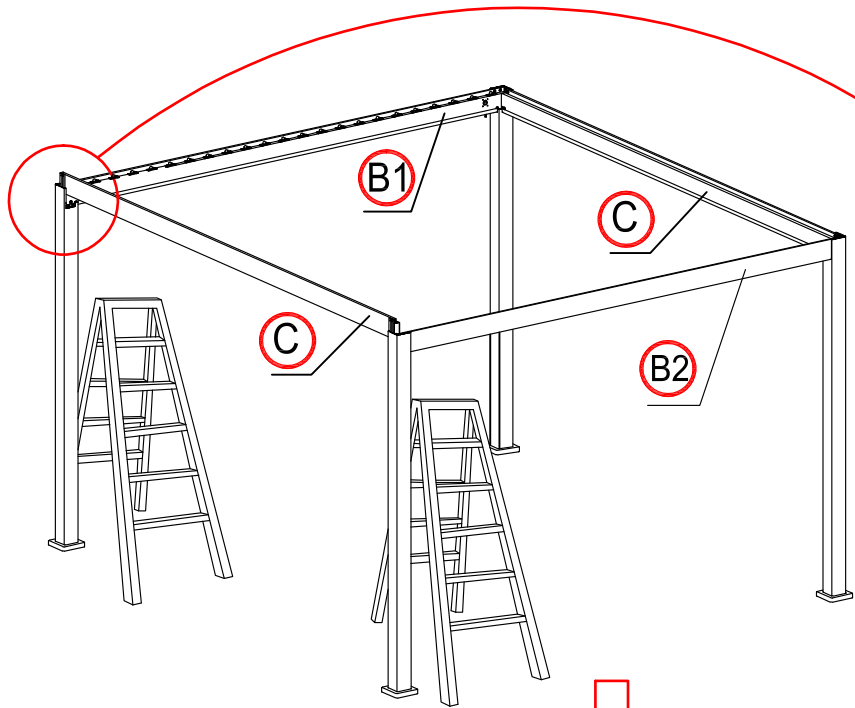
2

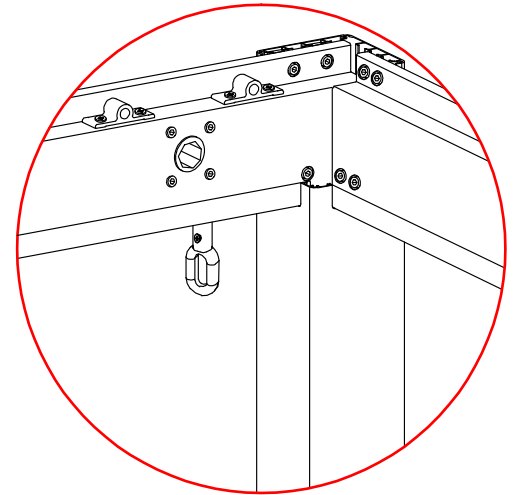
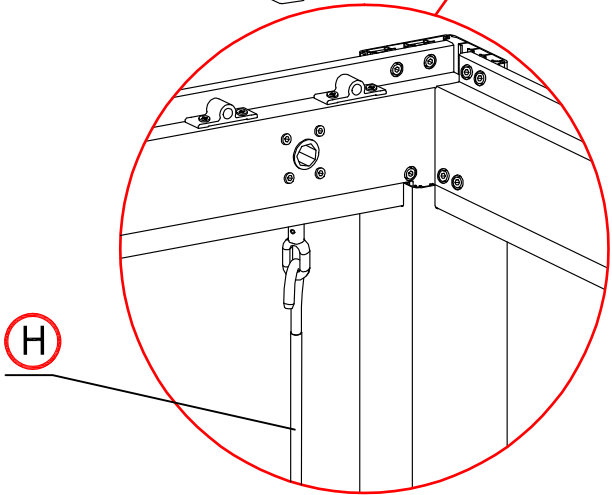
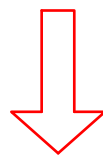
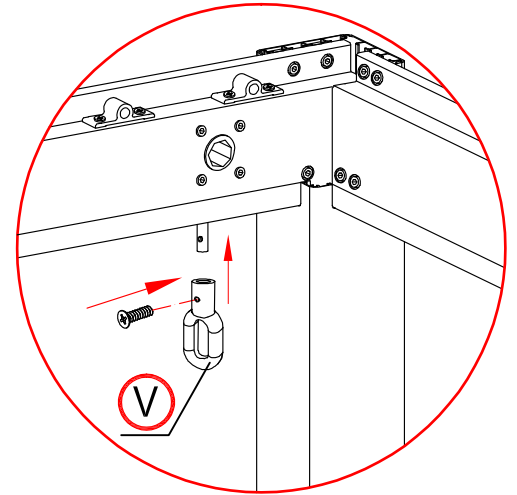
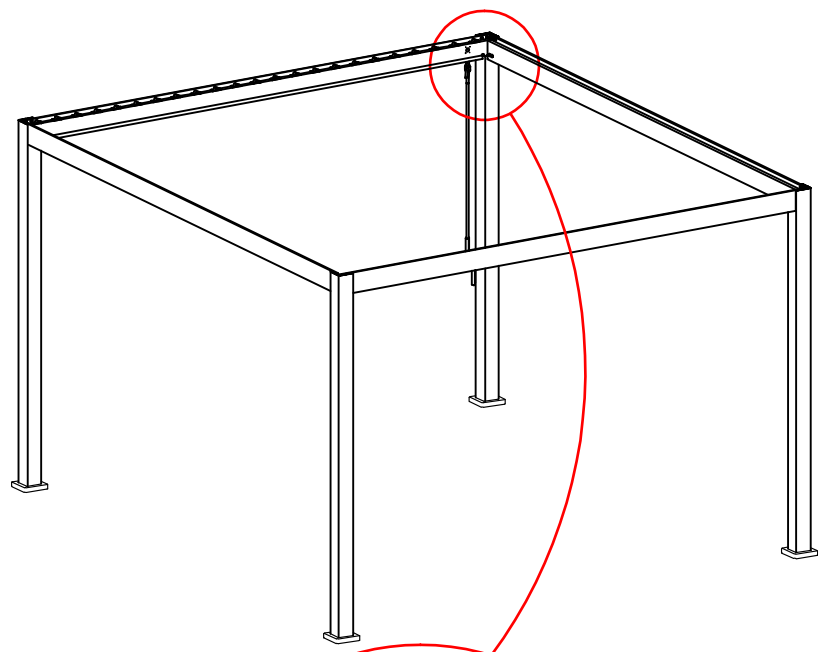
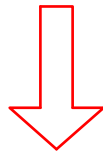
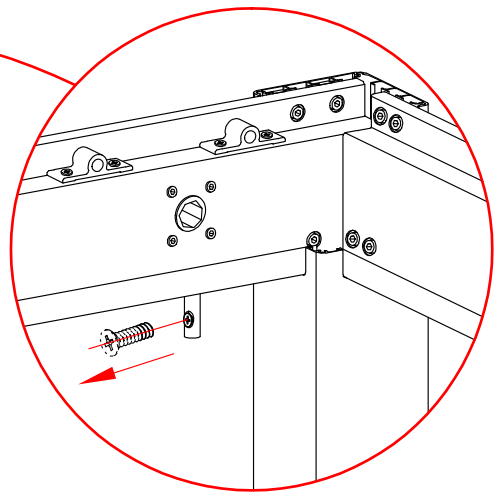
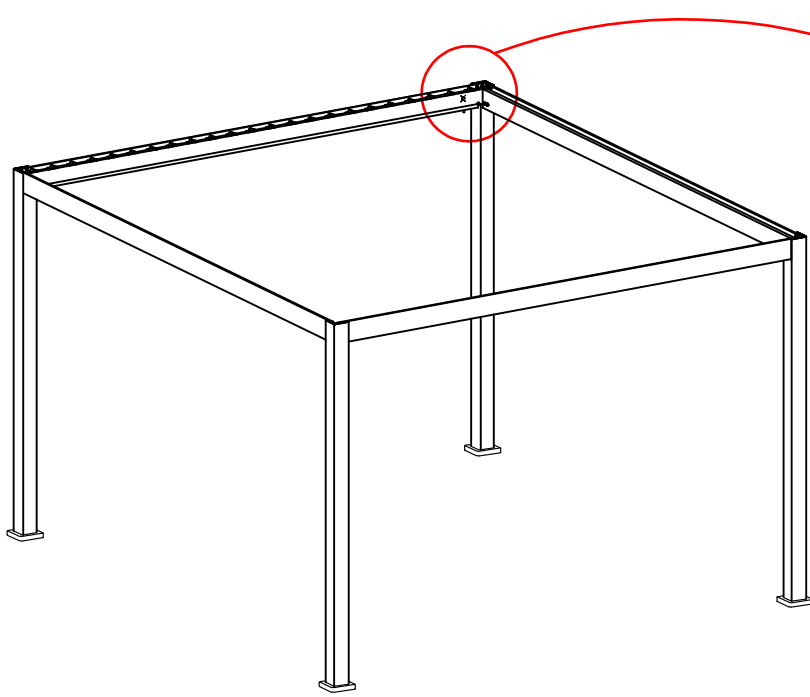
3

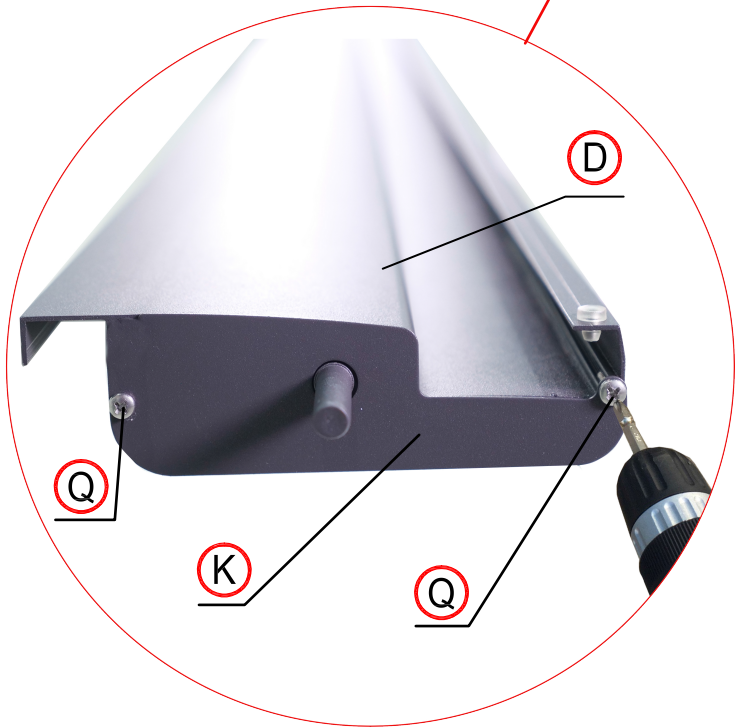
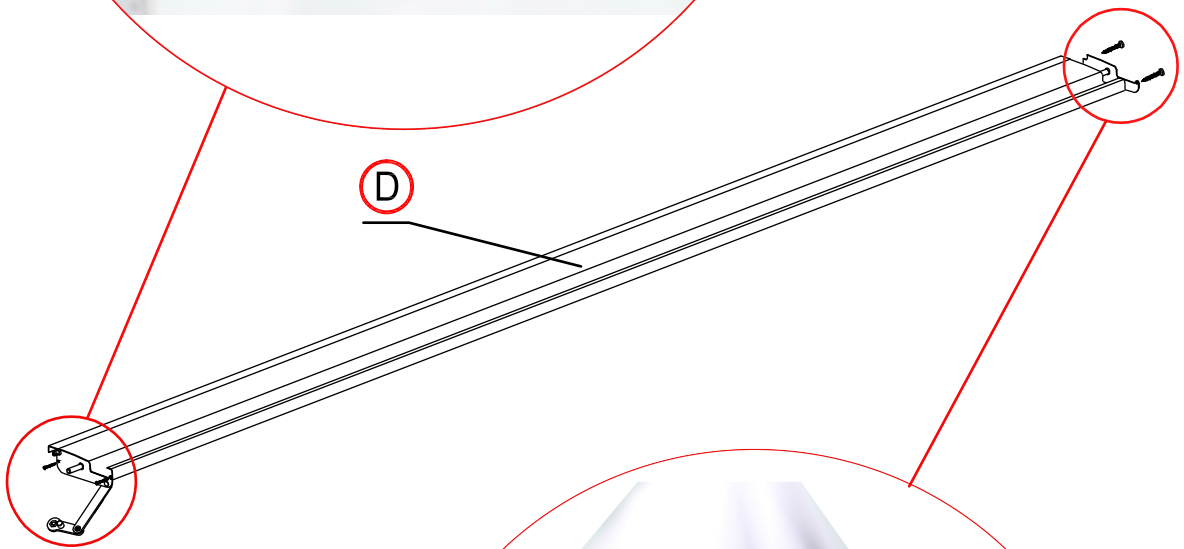
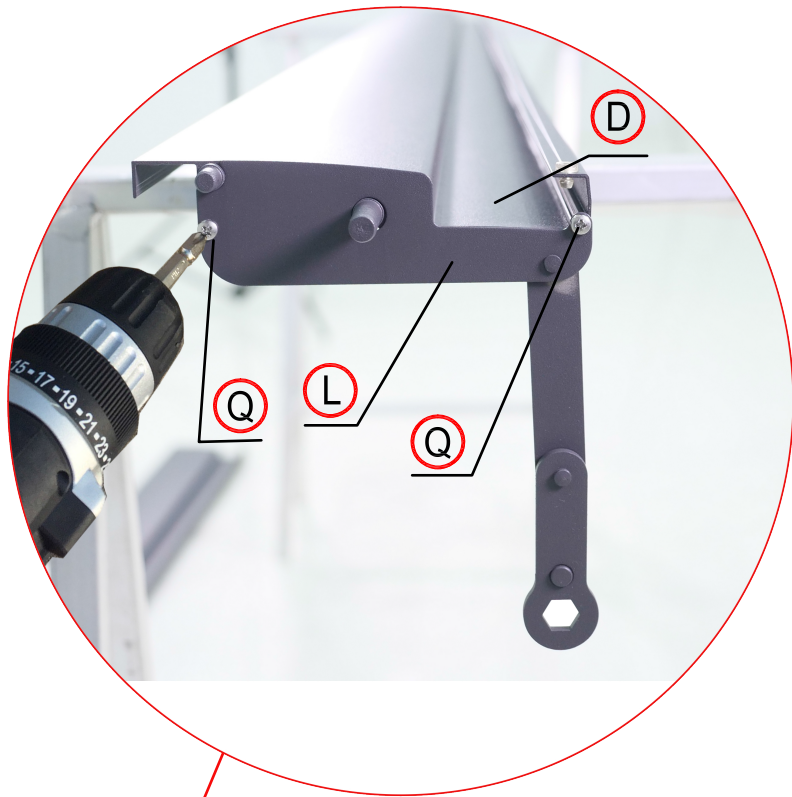


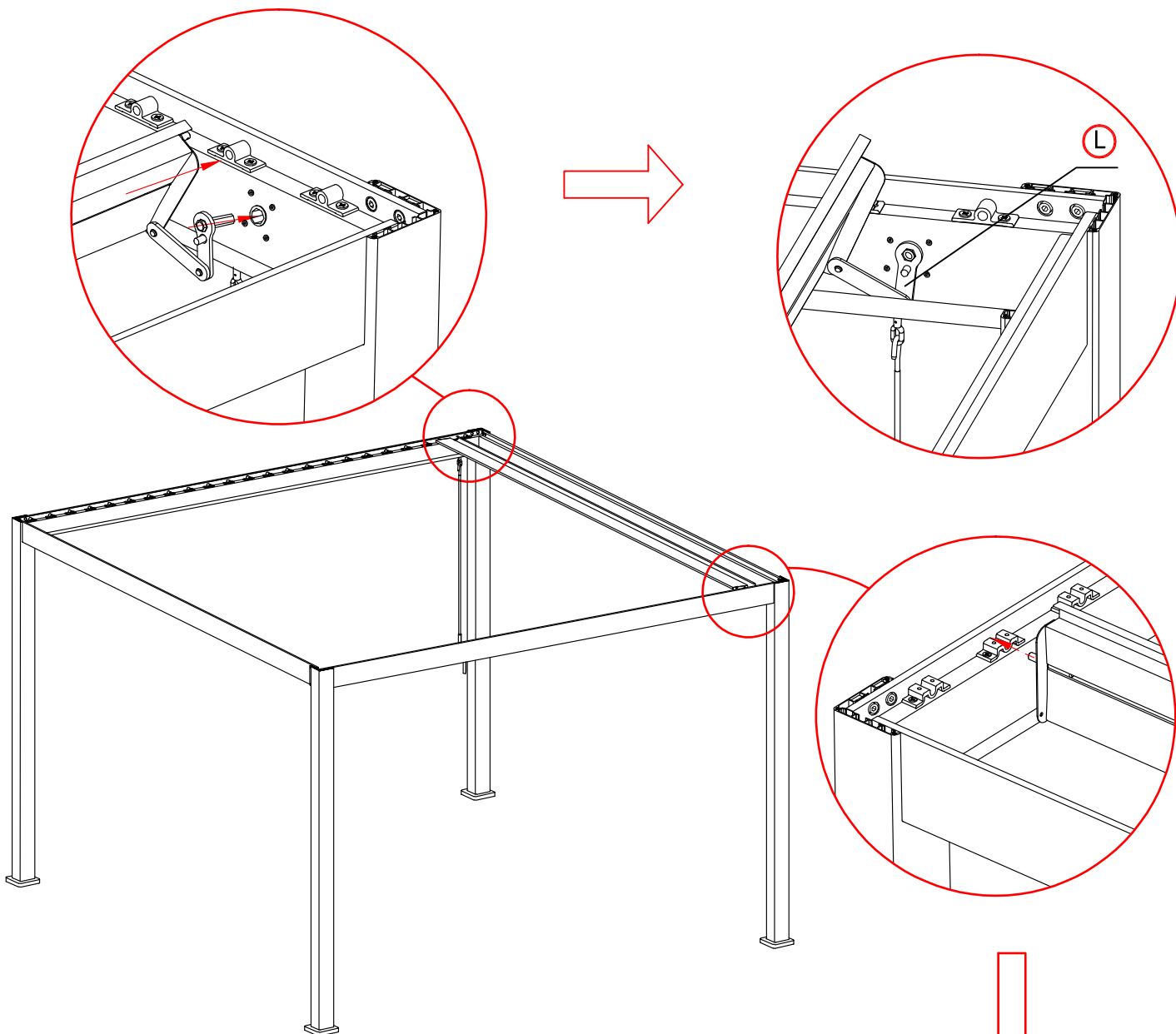




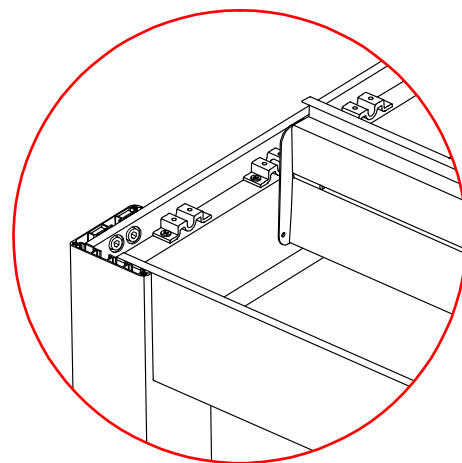
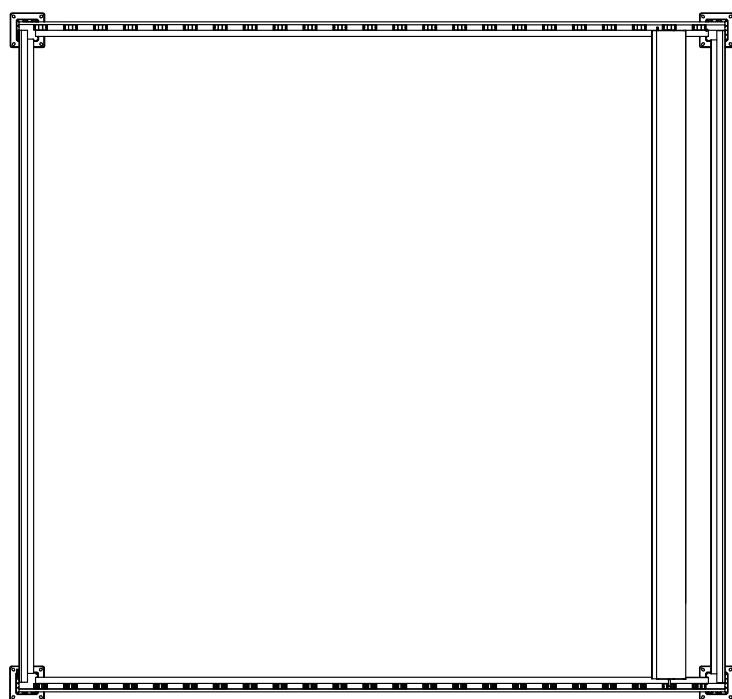


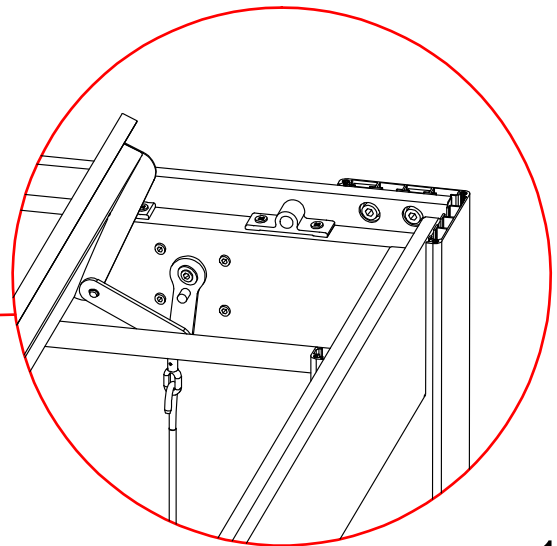
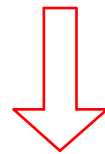
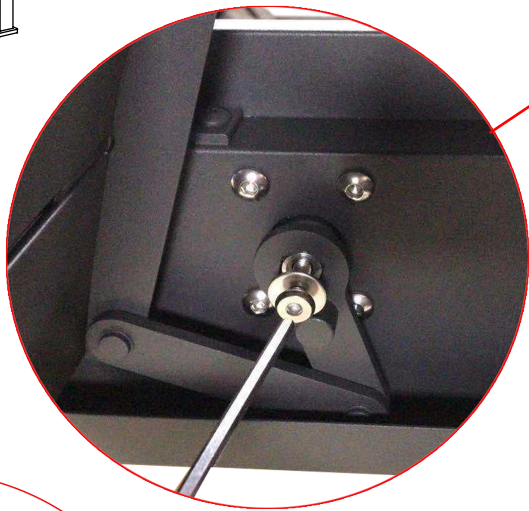
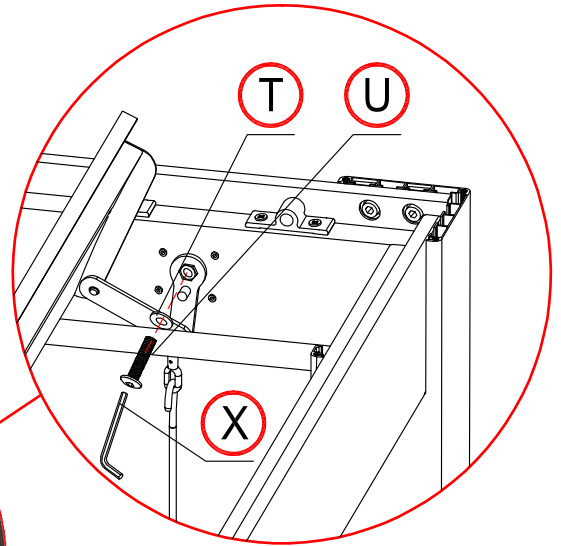
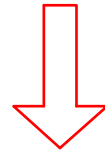
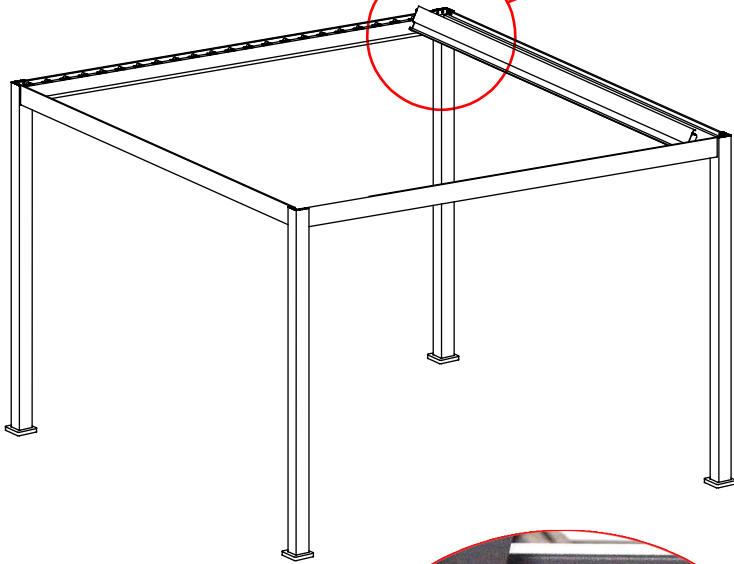
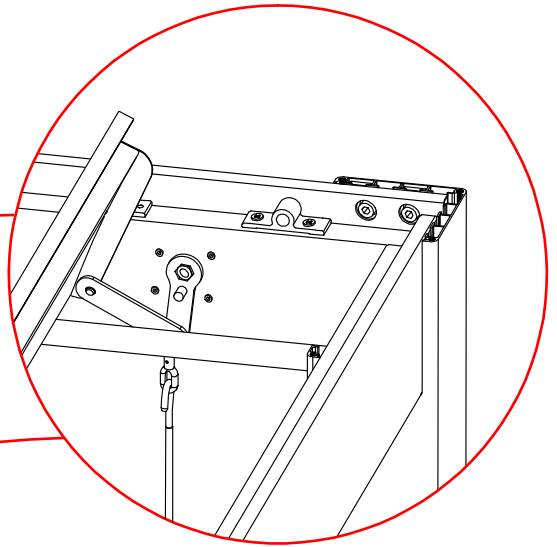


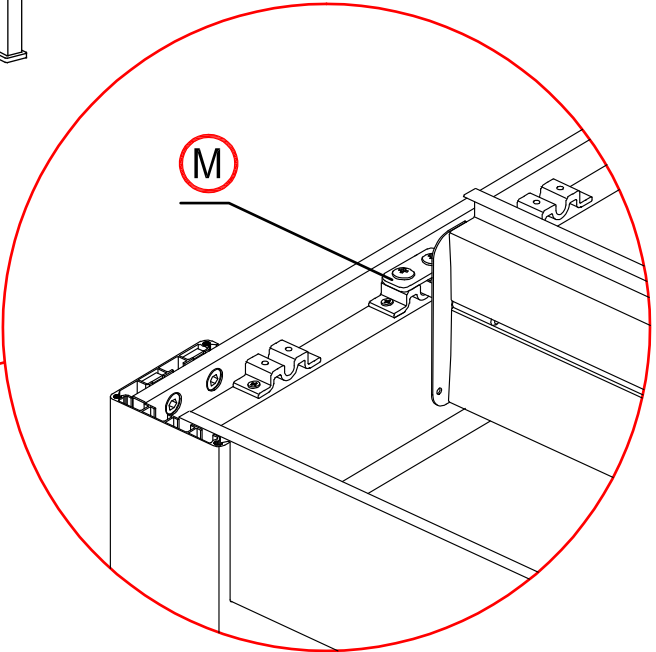
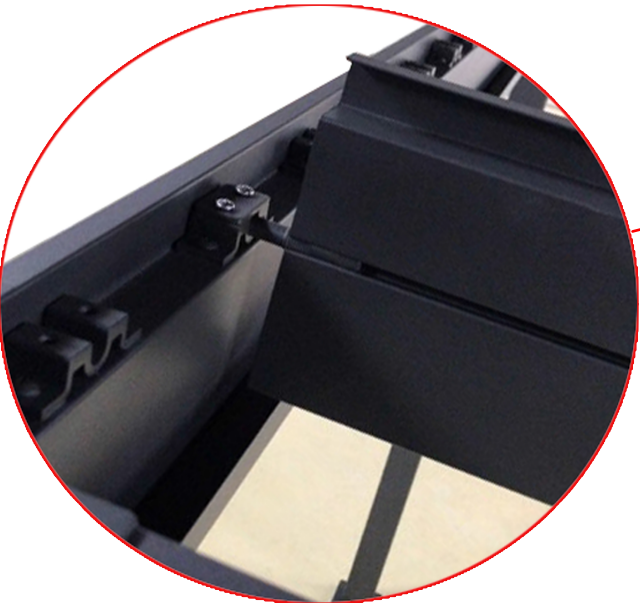
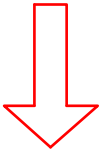
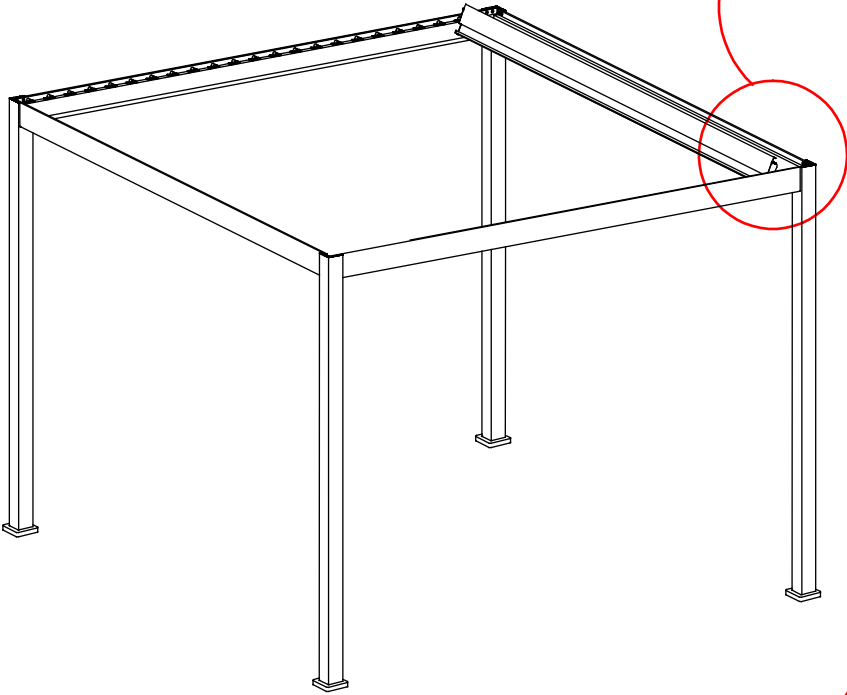
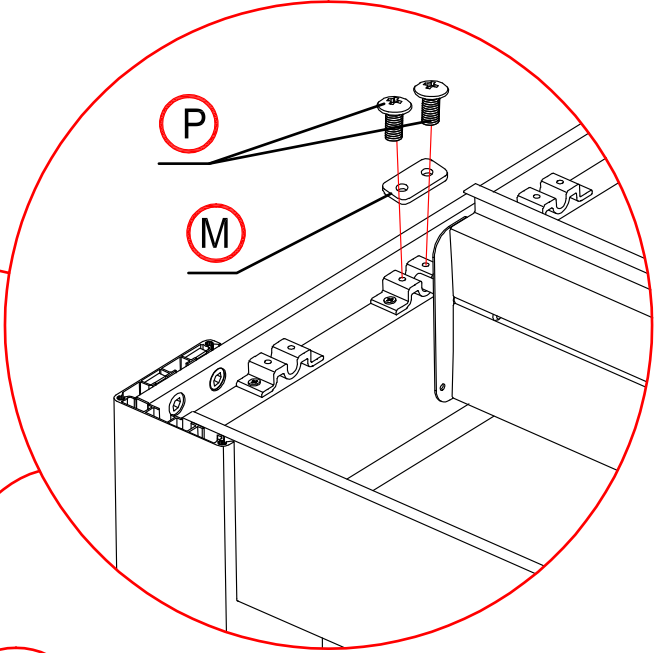
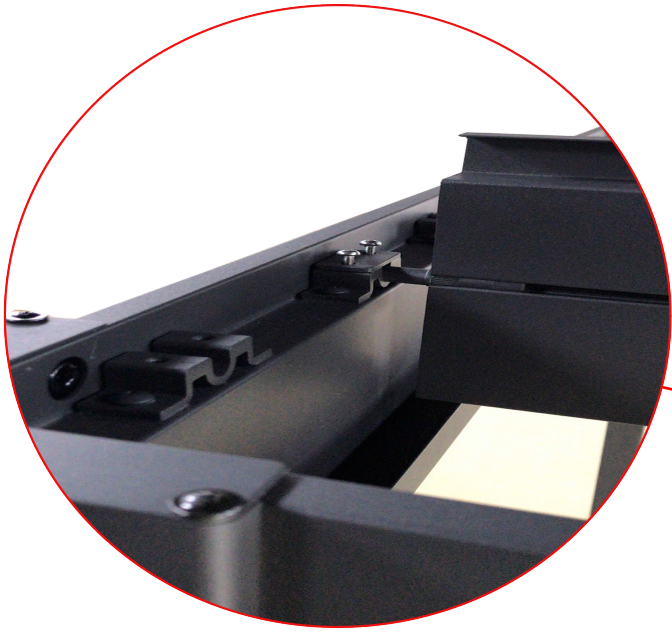




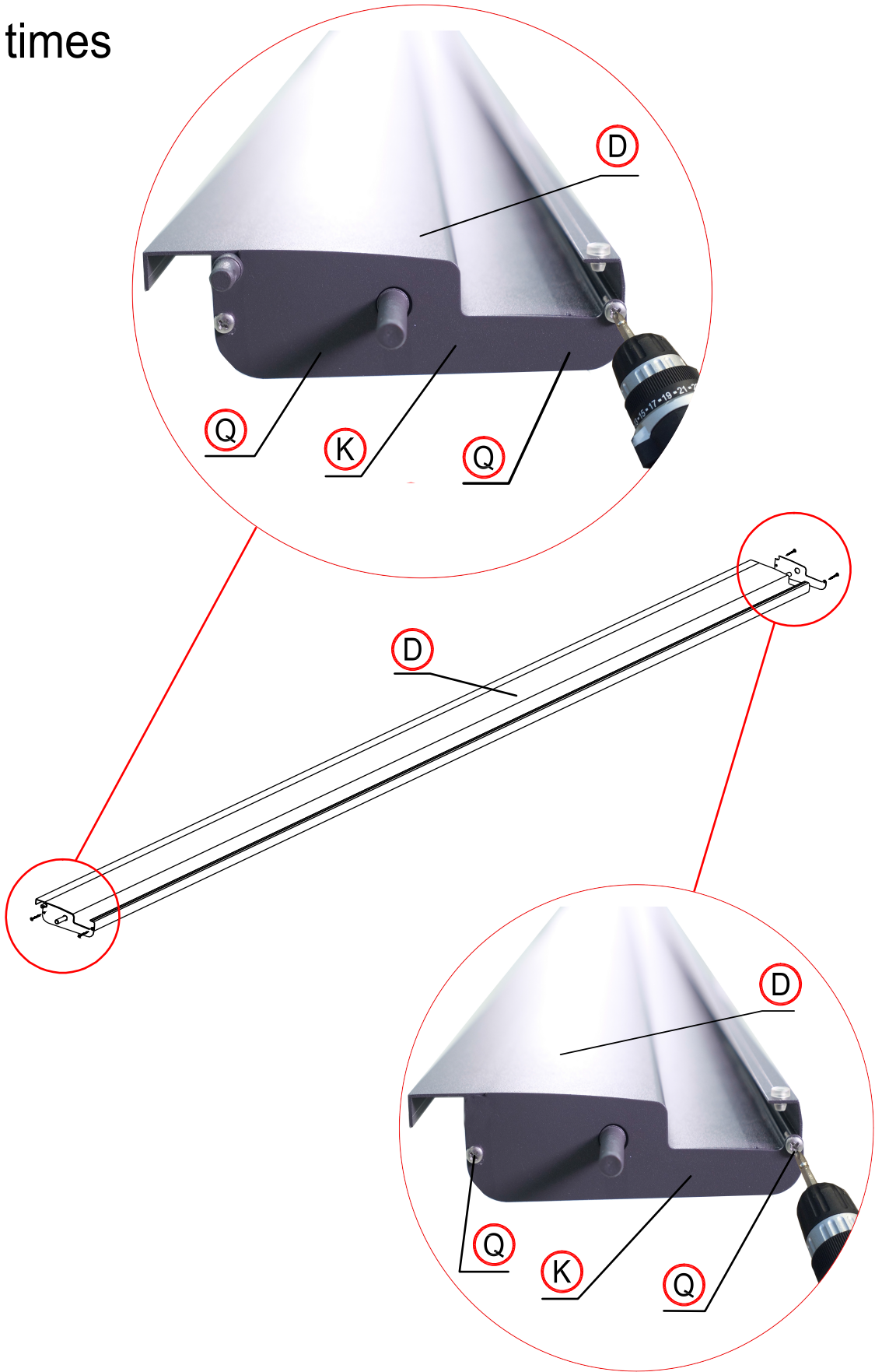
Assemble the second slice to the right.

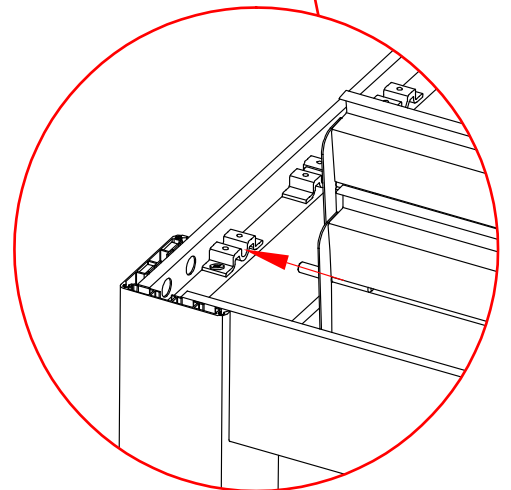
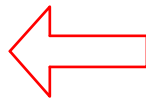
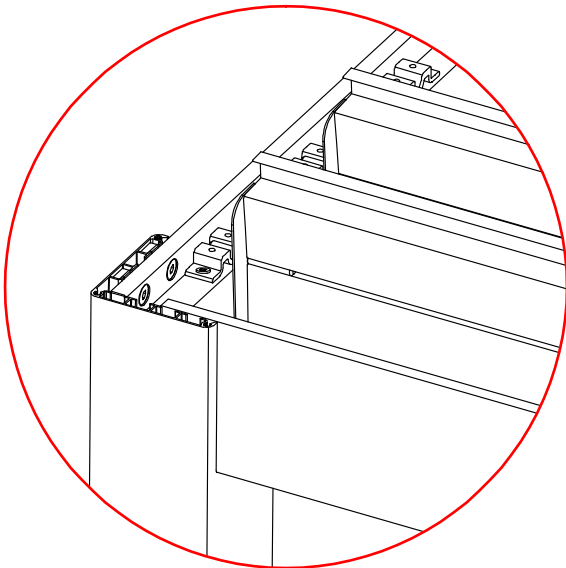
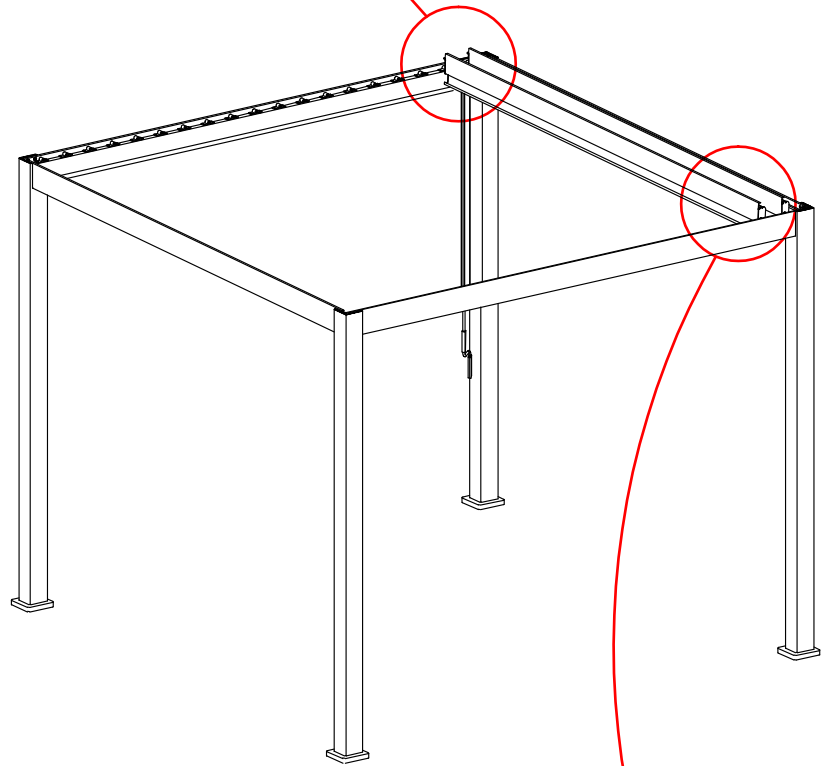
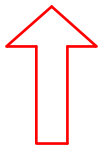
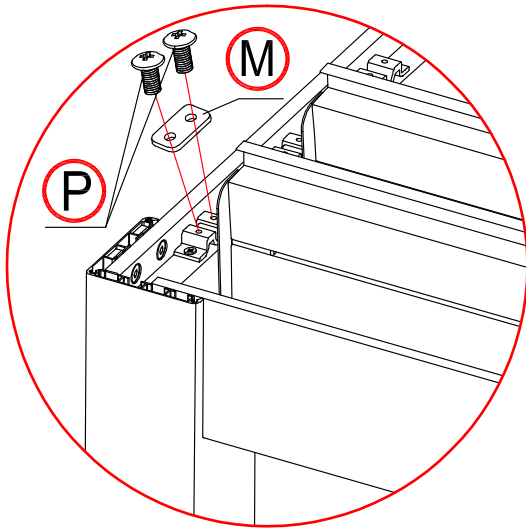
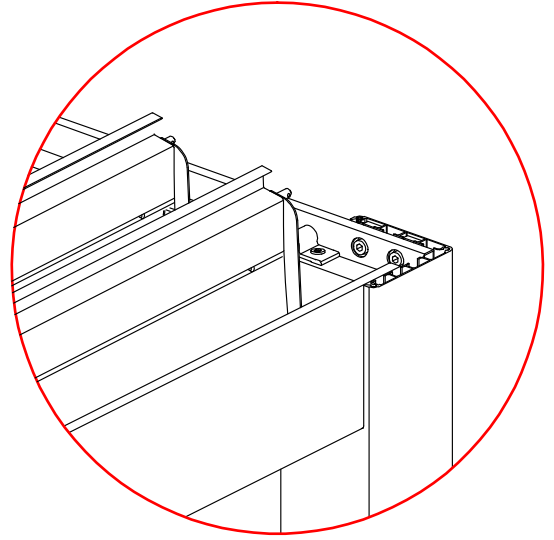
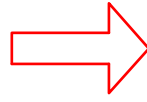
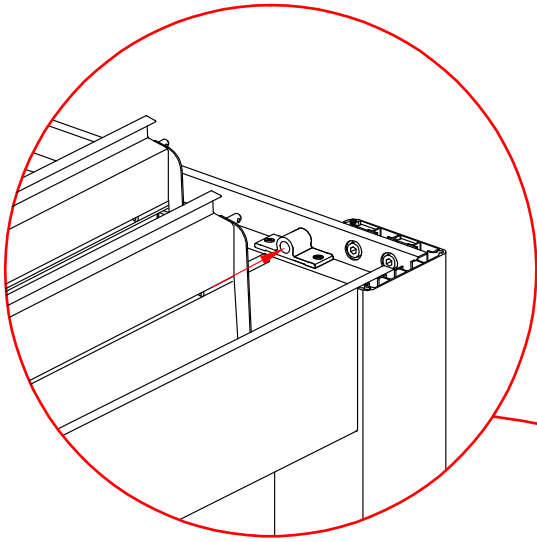




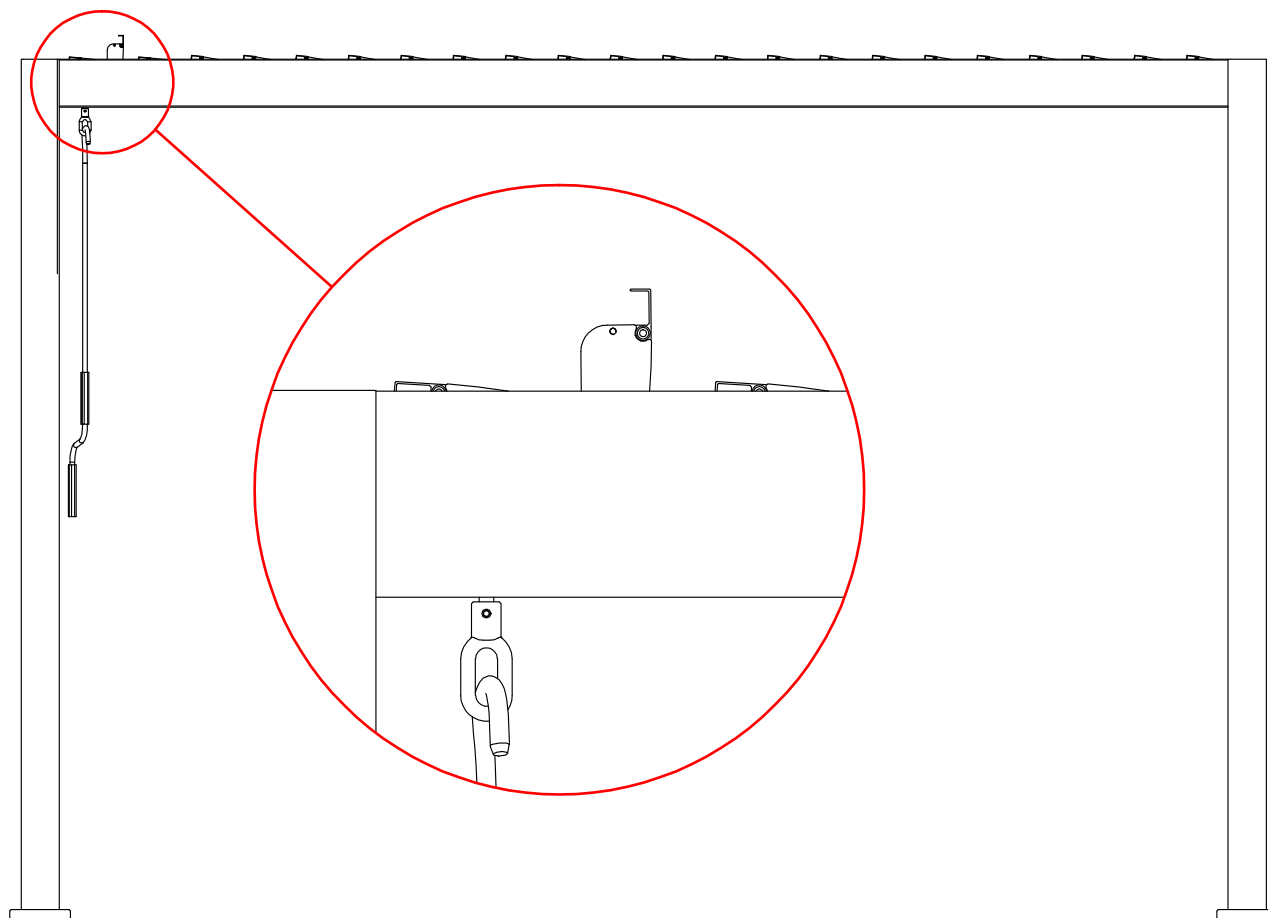


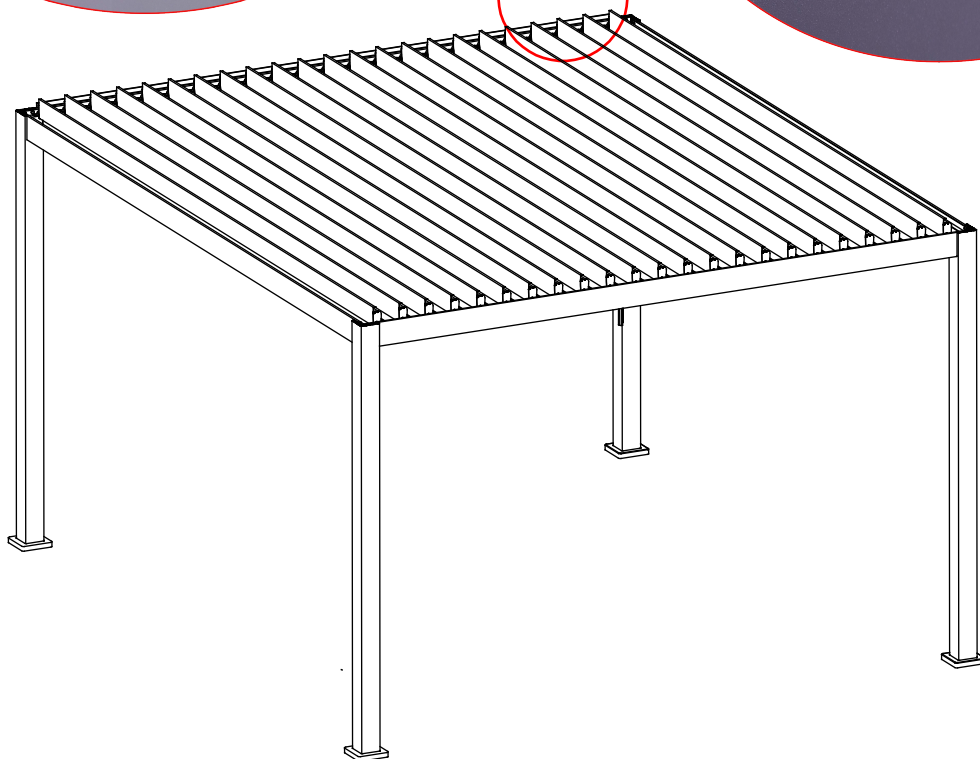
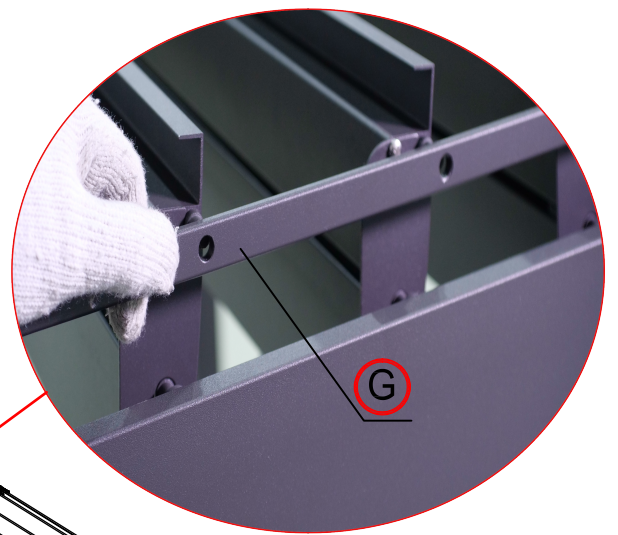
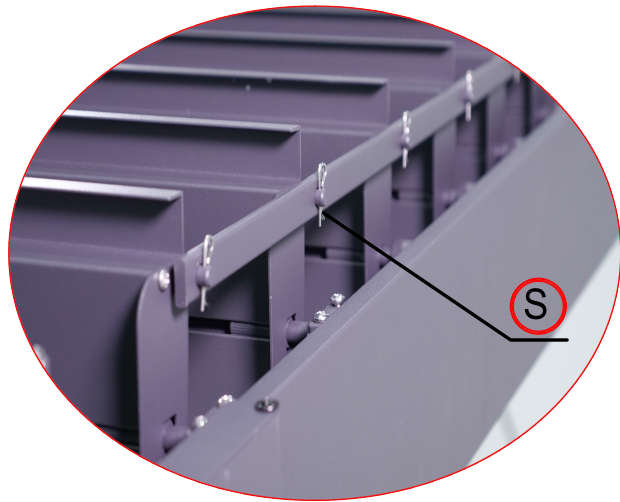
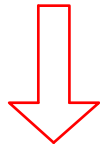
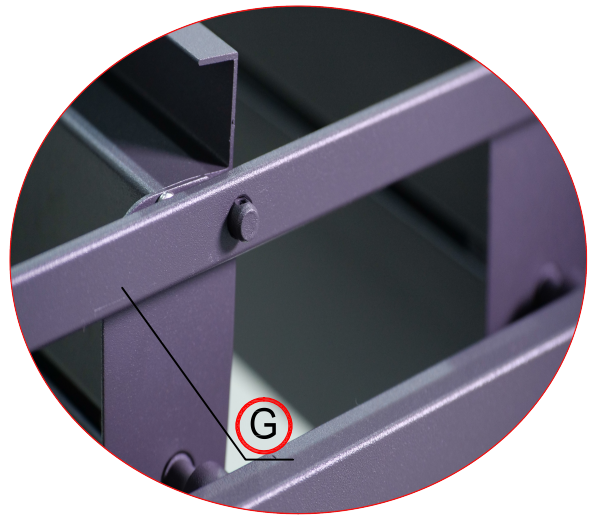
×18 times



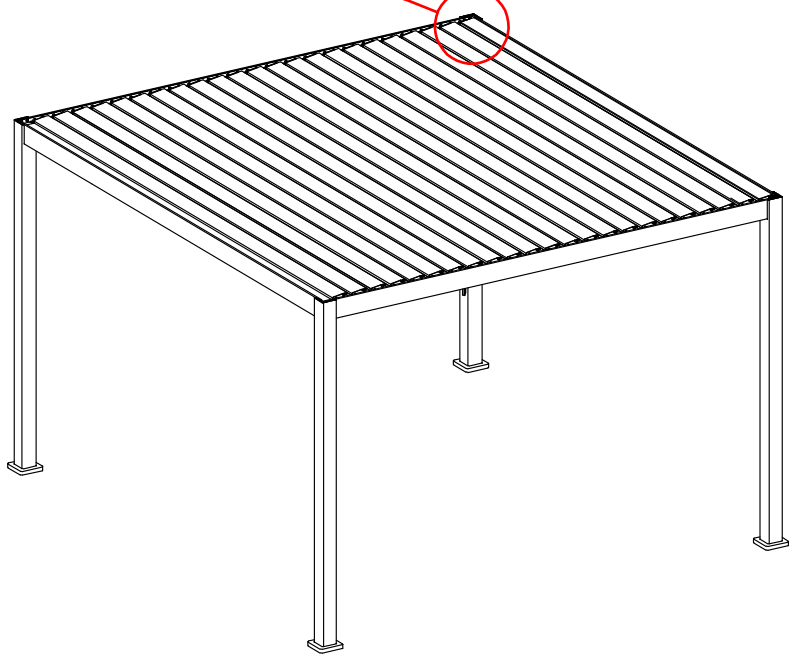
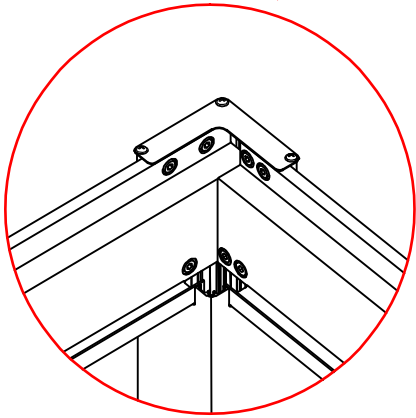
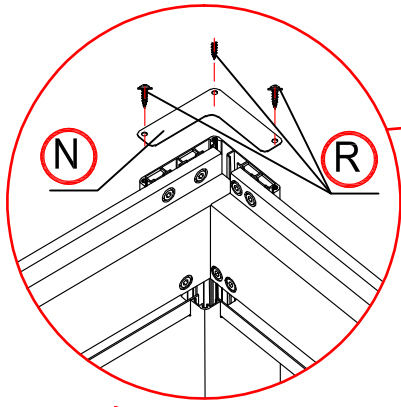


Make the shutter as vertical.



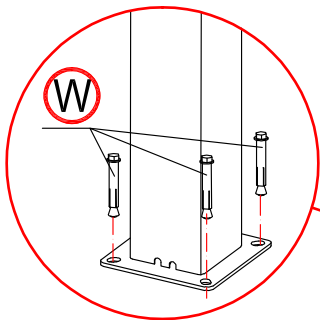
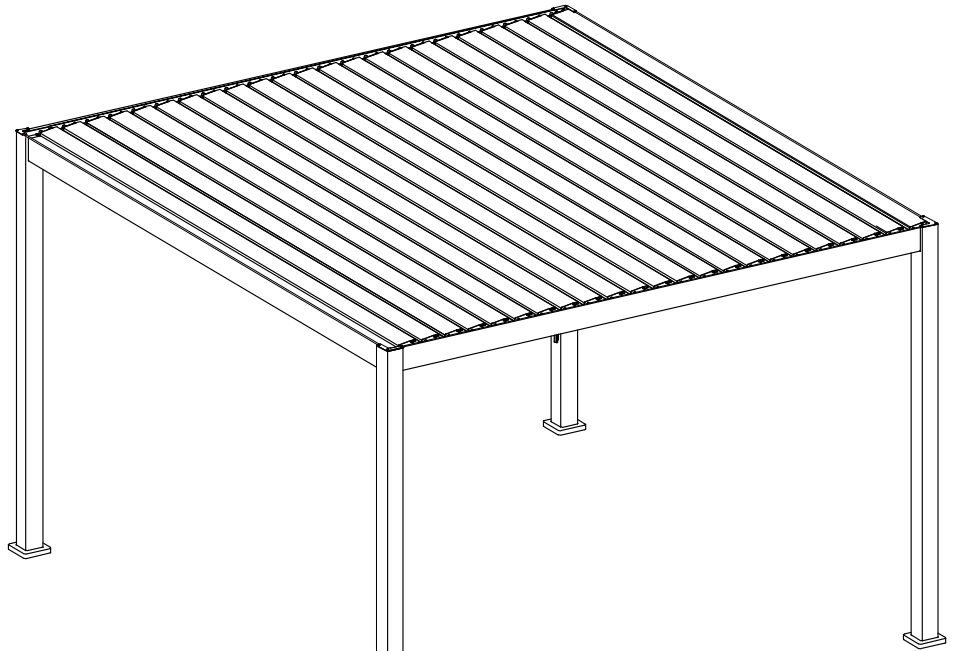


×4 times



17

×4 times



18

17