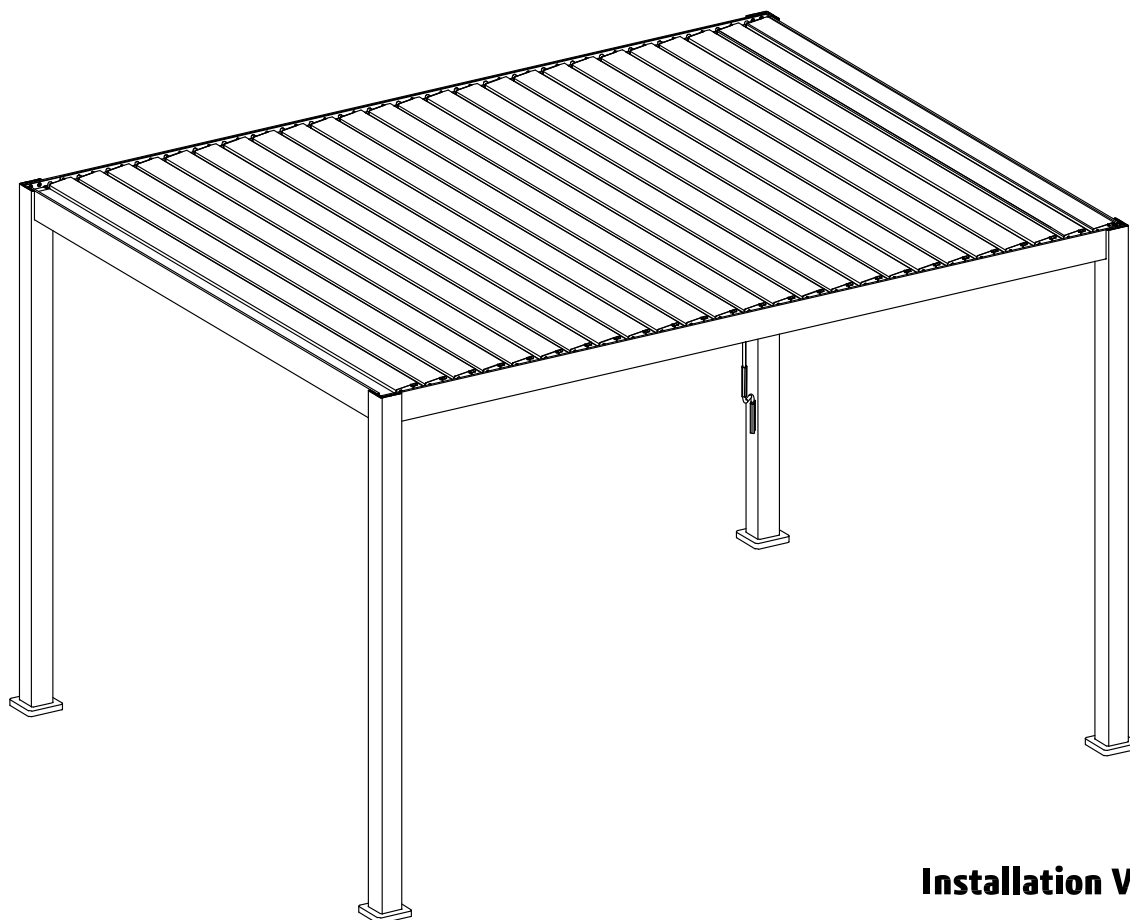


# MIRADOR™ 3x4m

## User Manual



**Installation Video**



**After-Sale Service Hotline: (+31)(0)40 780 4397**

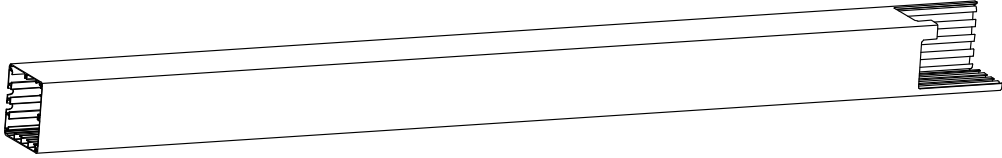
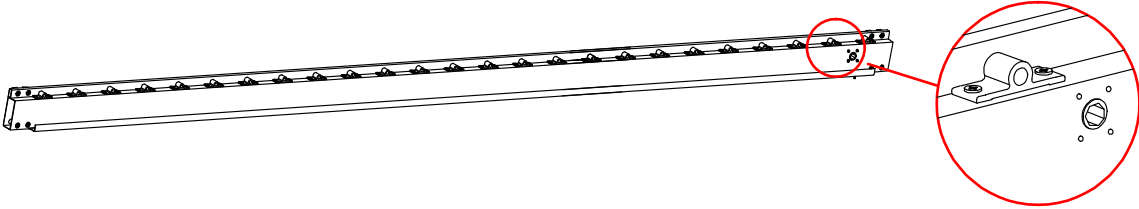
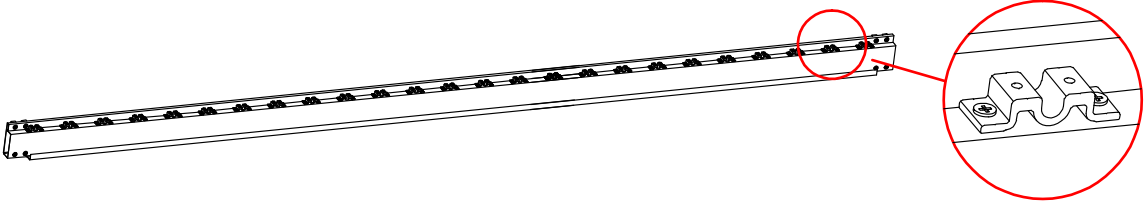
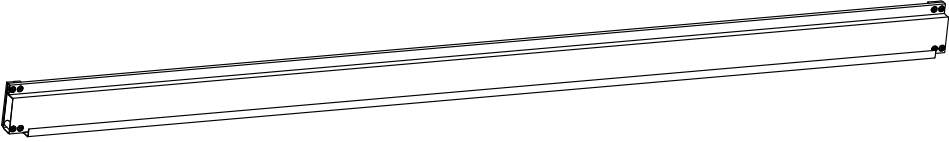
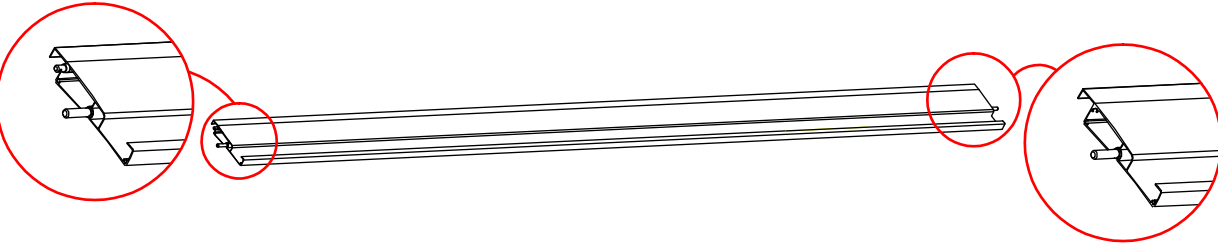
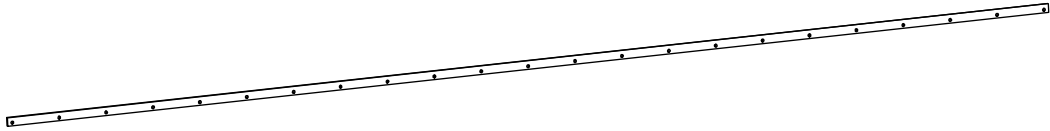

**Address**

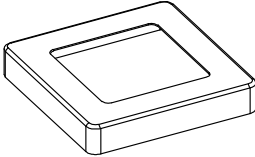
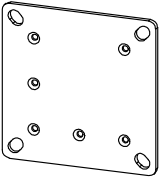
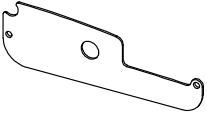

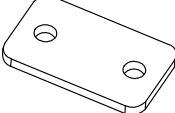
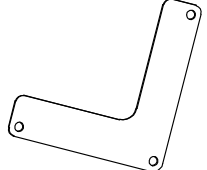
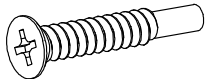
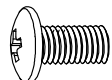
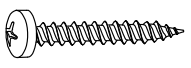
**Park 51, Nuenen, The Netherlands**


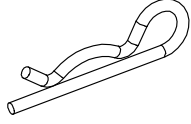

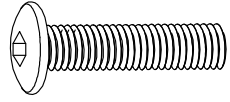
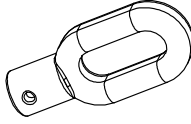
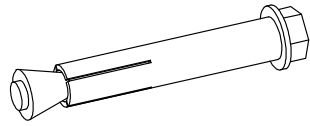

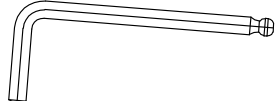
**Postal code: 5671 GC**

**E-mail address: [info@sorara.eu](mailto:info@sorara.eu)**

	REF	QTY	REF	QTY	REF	QTY
Carton 1/4	(A)	4PCS	(I)	4PCS	(J)	4PCS
	(K)	49PCS	(L)	1PC	(M)	25PCS
	(N)	4PCS	(O)	24PCS	(P)	52PCS
	(Q)	104PCS	(R)	12PCS	(S)	27PCS
	(T)	1PC	(U)	1PC	(V)	1PC
	(W)	16PCS	(X)	1PC	(Y)	2PCS
	User Manual	1SET				
Carton 2/4	(B1)	1PC	(B2)	1PC	(C)	2PCS
	(G)	1PC	(H)	1PC		
Carton 3/4	(D)	13PCS				
Carton 4/4	(D)	12PCS				

REF	PICTURE	QTY
A		4PCS
B1		1PC
B2		1PC
C		2PCS
D		25PCS
G		1PC
H		1PC

REF	PICTURE	QTY
I		4PCS
J		4PCS
K		49PCS
L		1PC
M		25PCS
N		4PCS
O		24PCS
P	 M5x10mm	52PCS
Q	 4.2x18mm	104PCS

REF	PICTURE	QTY
R	 5.5x19mm	12PCS
S		27PCS
T		1PC
U	 M6x45	1PC
V		1PC
W		16PCS
X		1PC
Y		2PCS

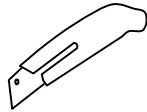
# Warning

In snow season or in case of snow forecast open up your shutters in vertical position to avoid any damaging on your pergola.

## What you need?



glove



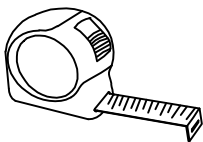
knife



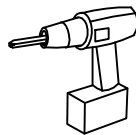
hammer



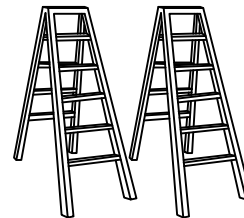
Safety hat



tapeline

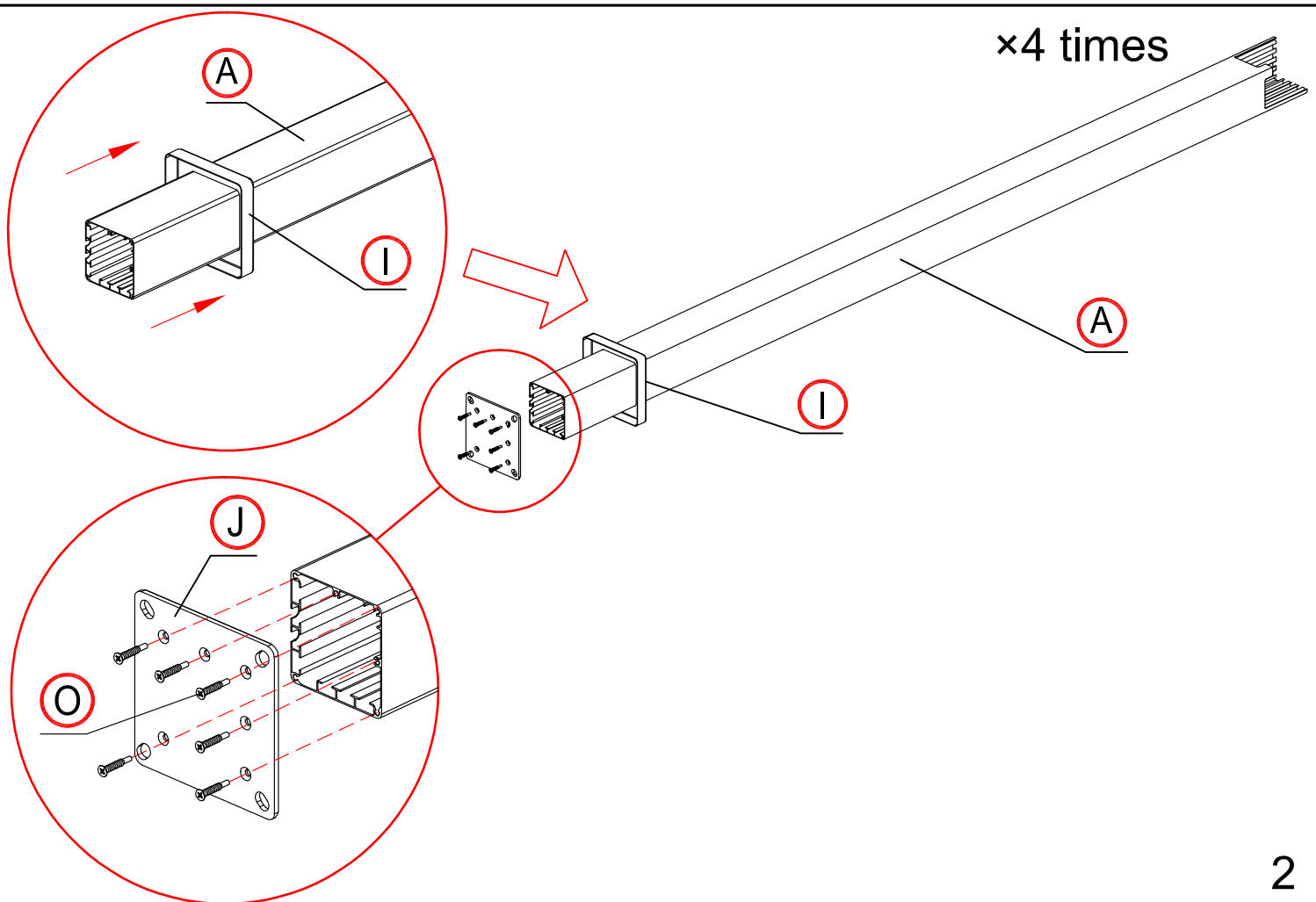


electric screw driver



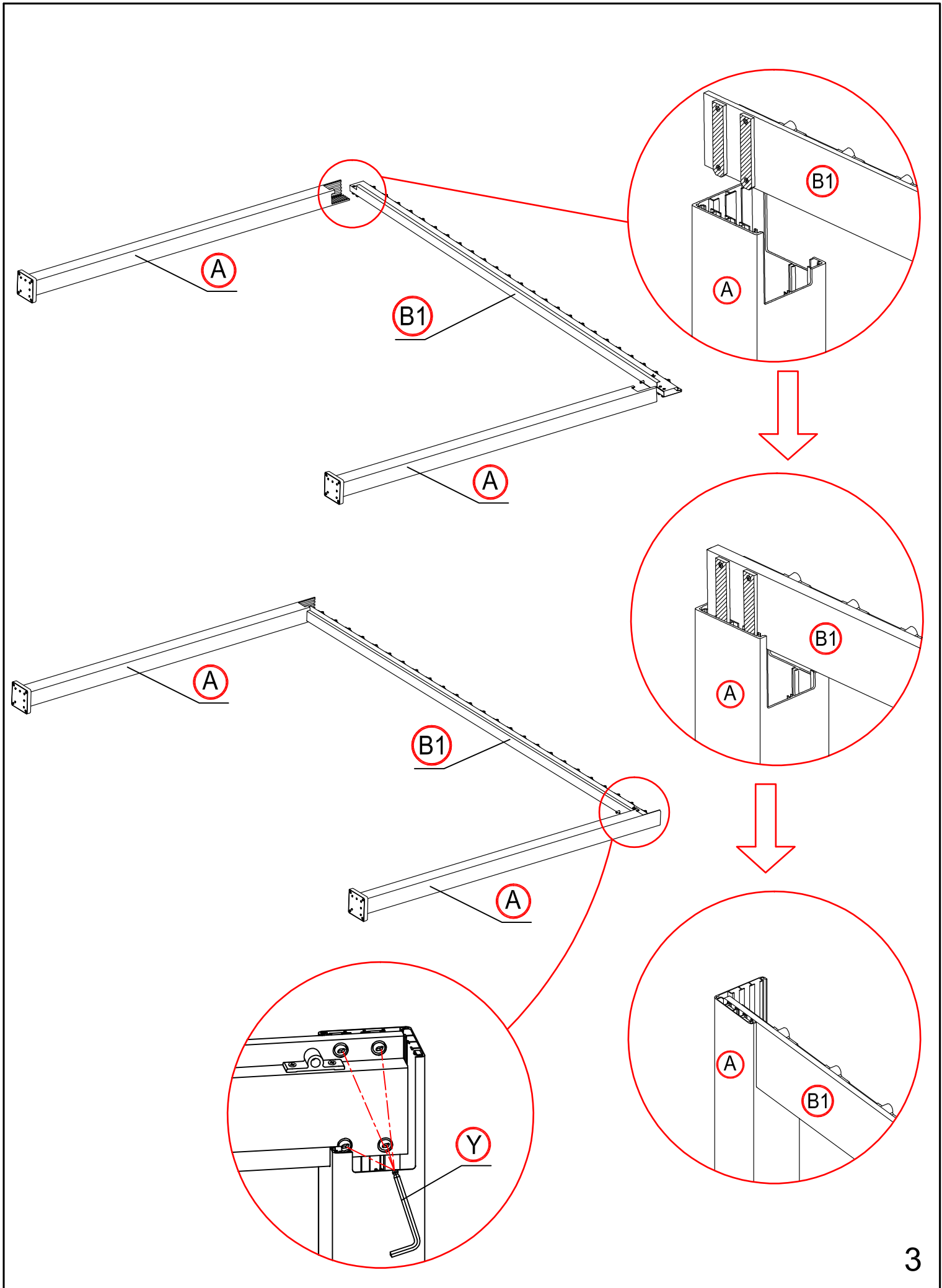
ladder

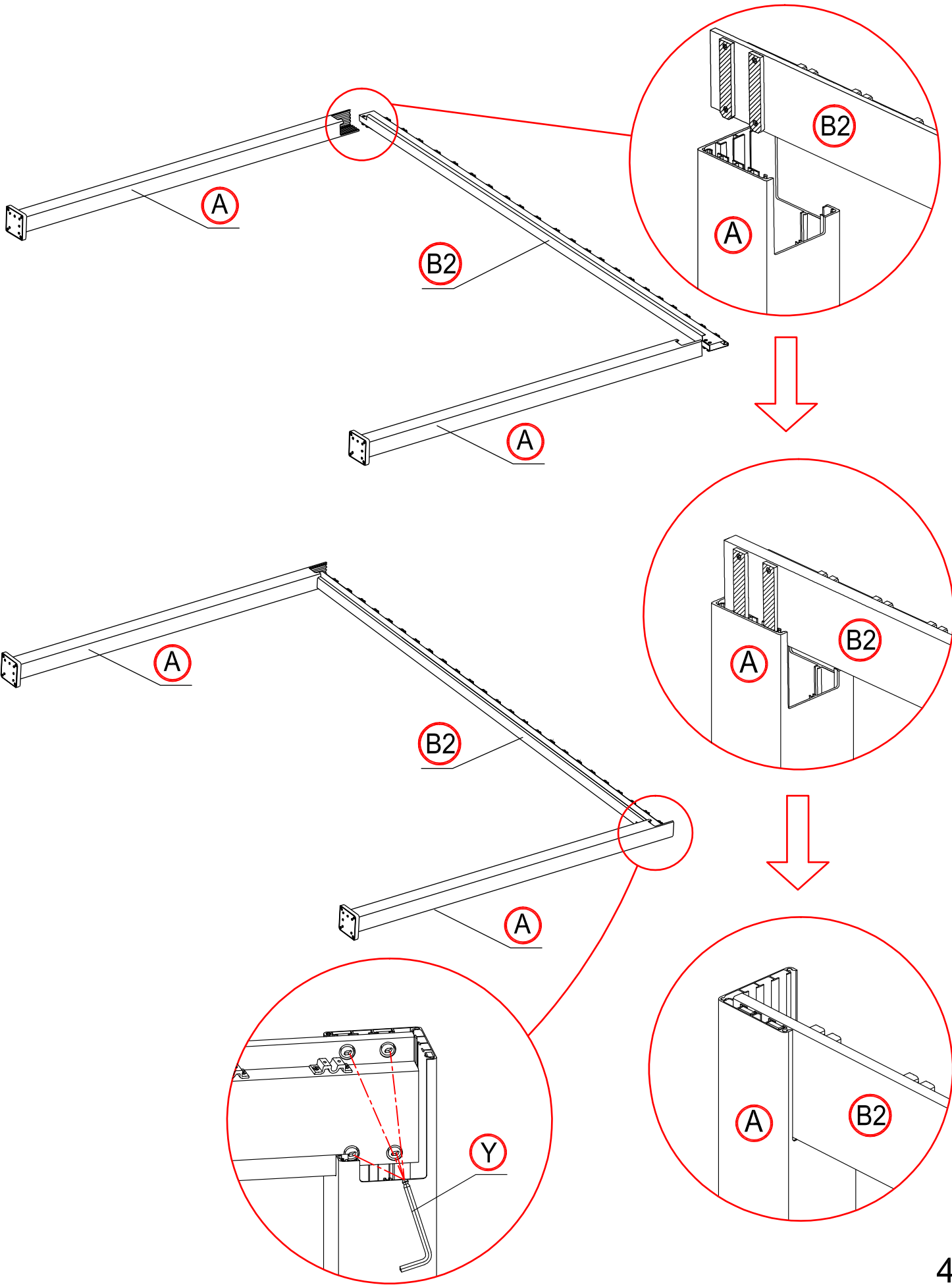
1

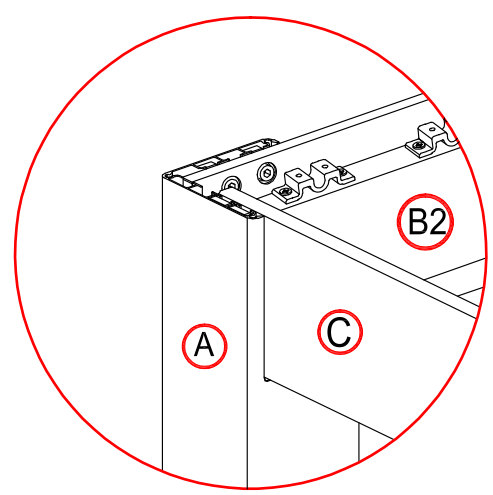
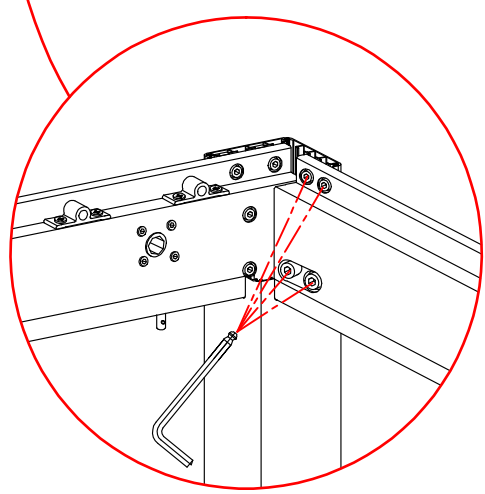
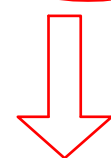
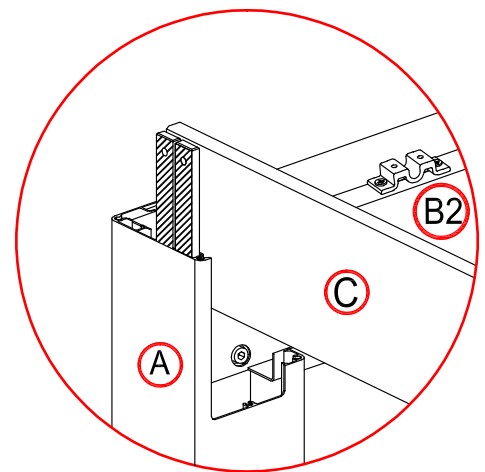
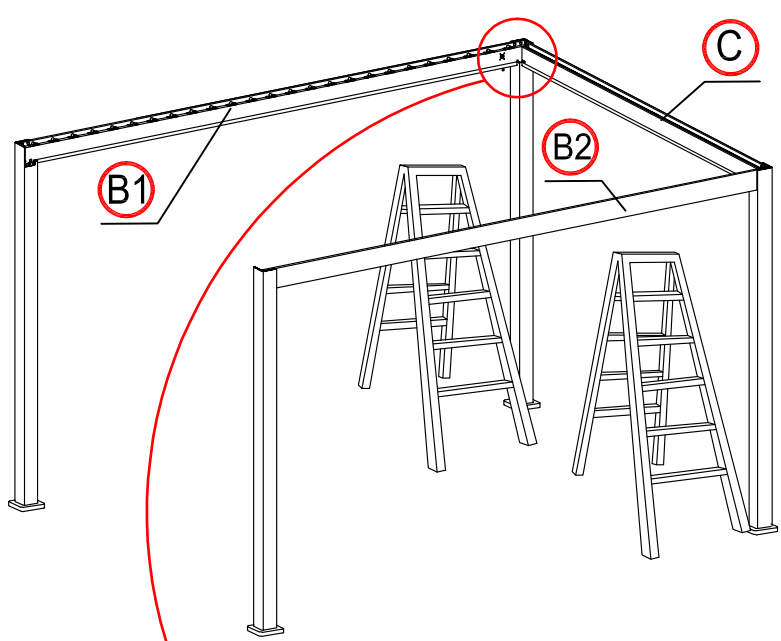
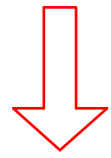
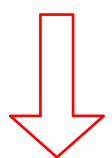
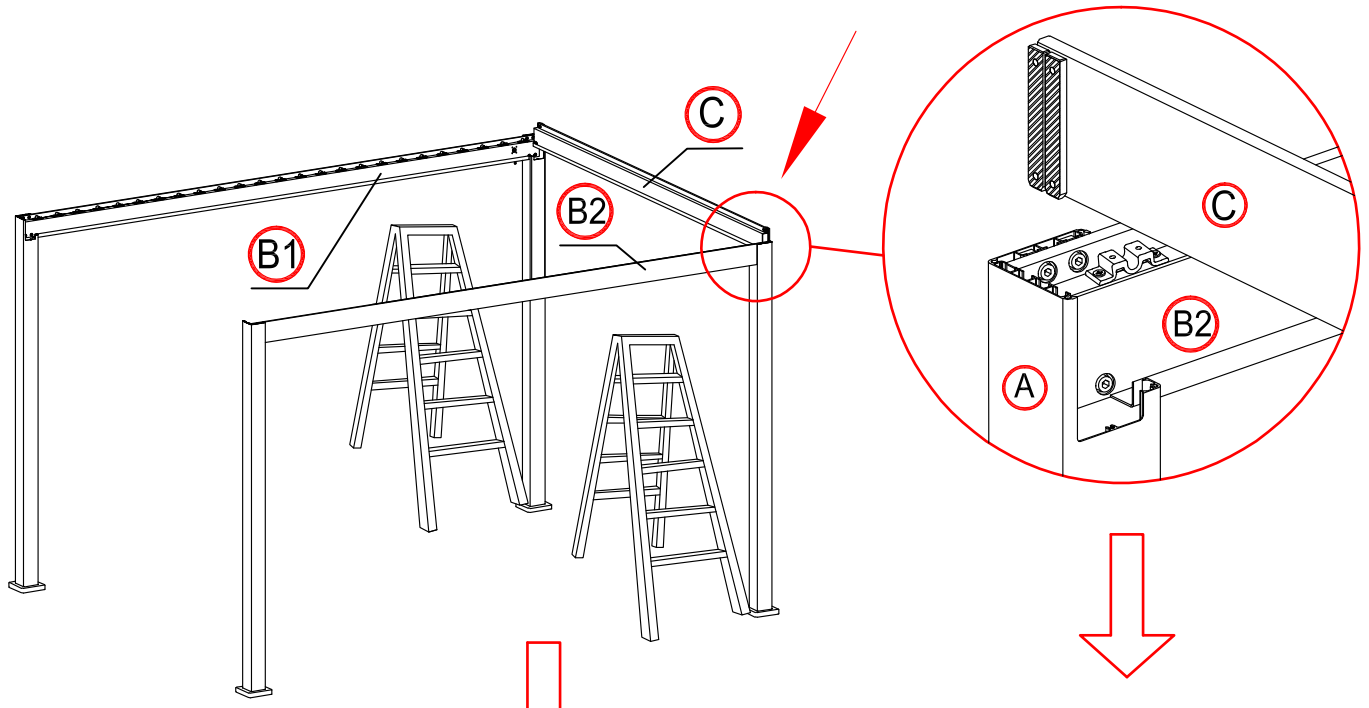


2

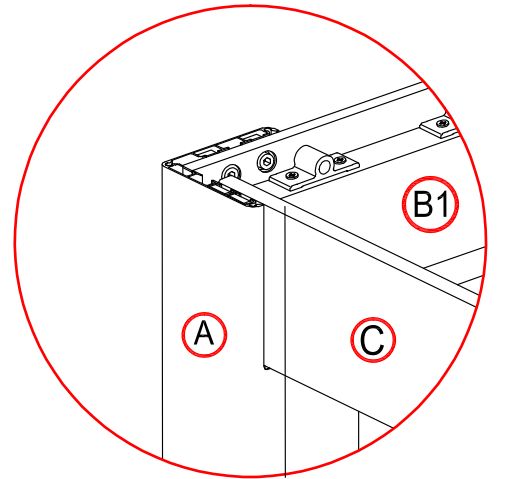
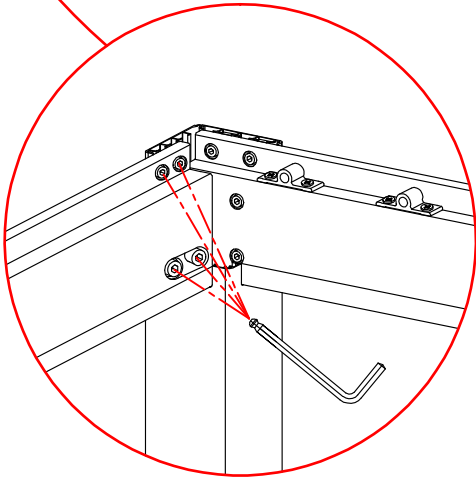
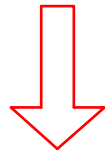
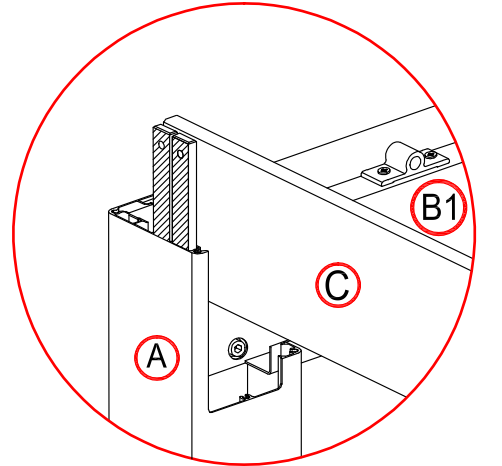
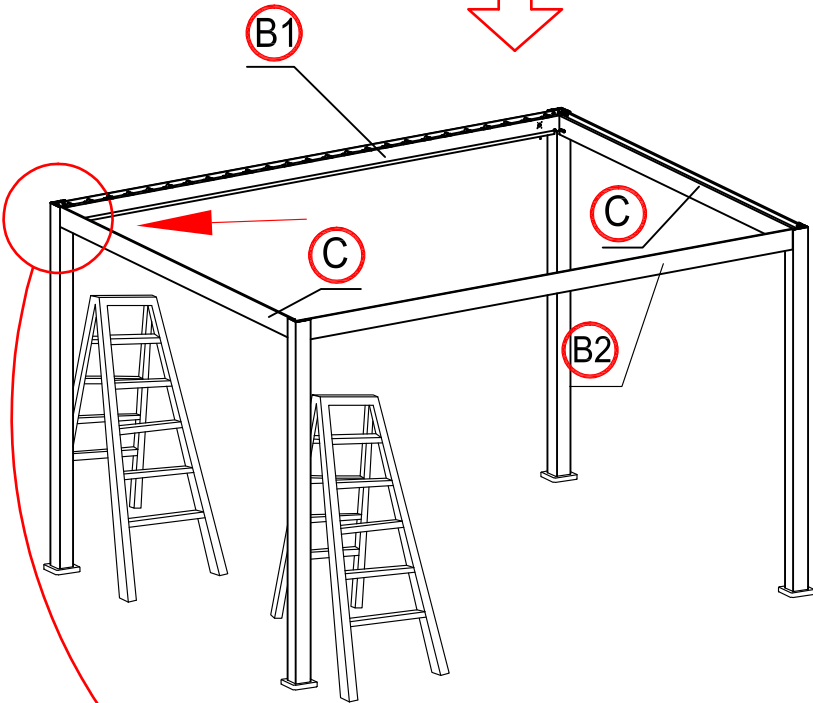
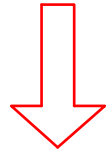
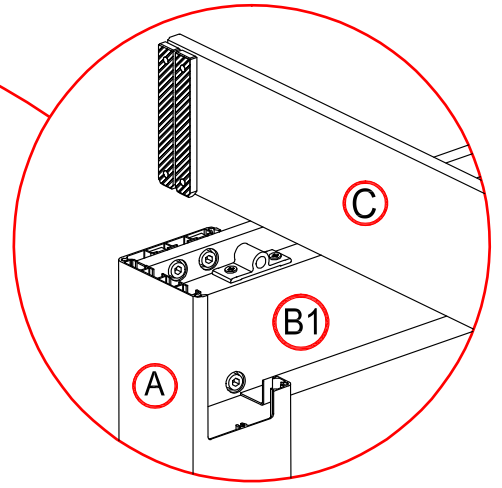
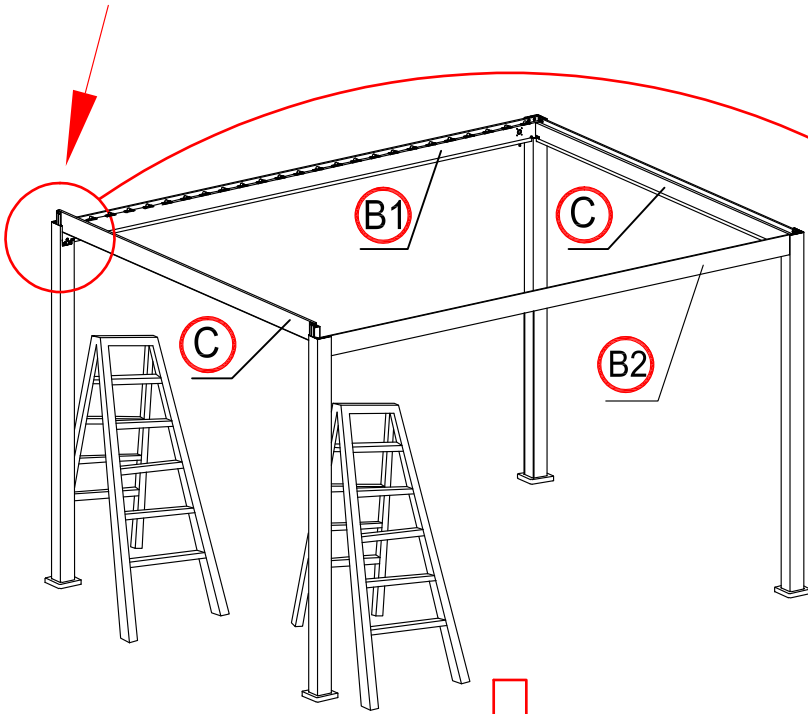
3





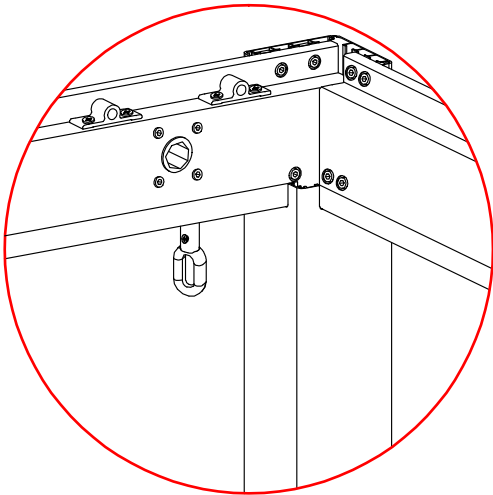
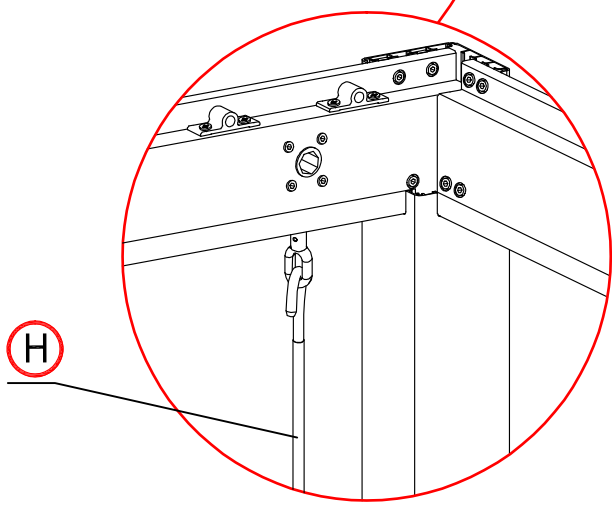
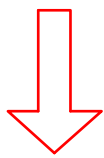
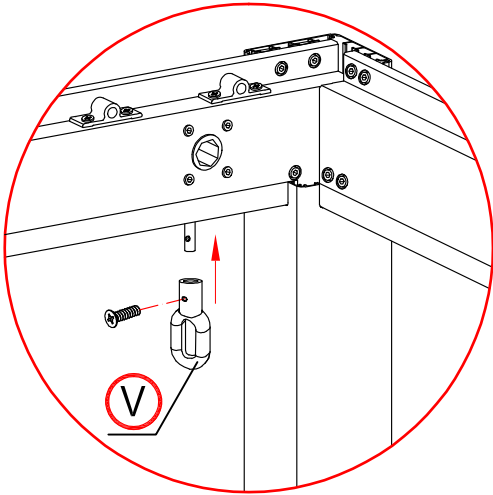
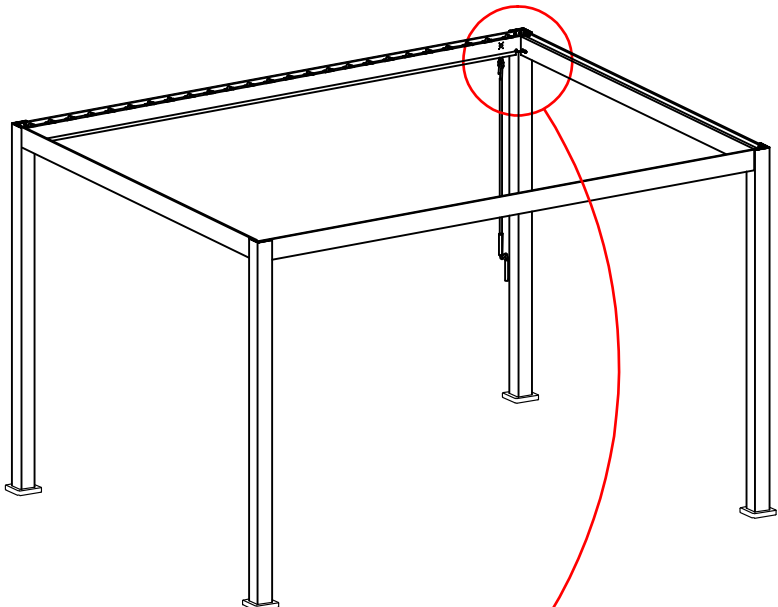
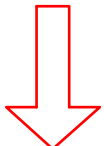
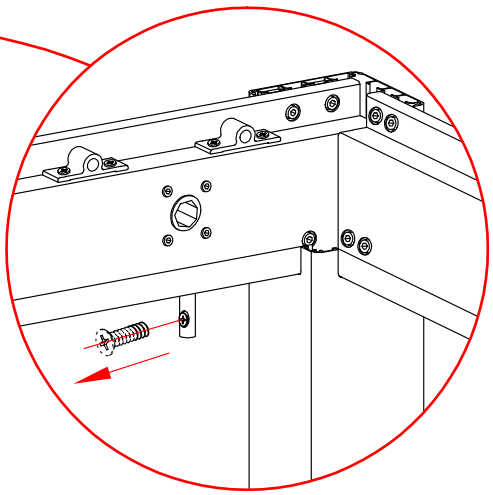
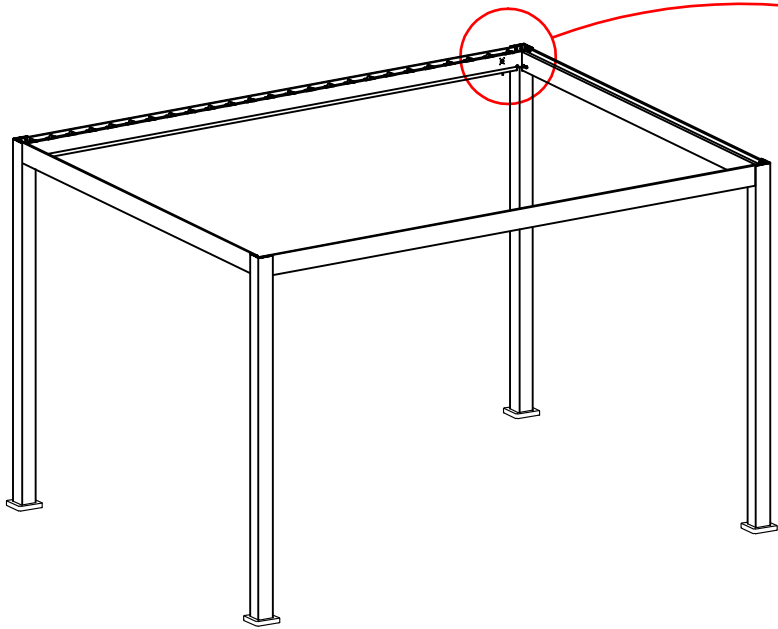


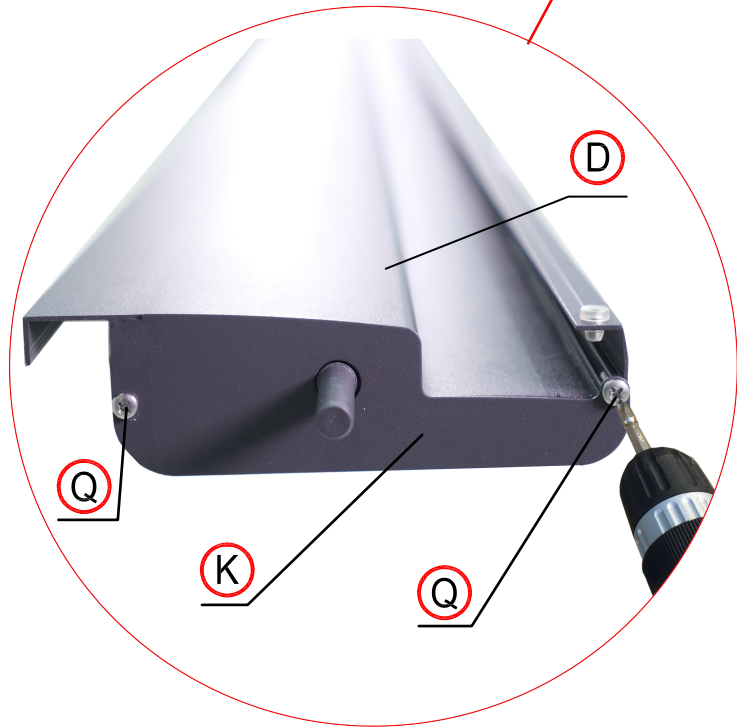
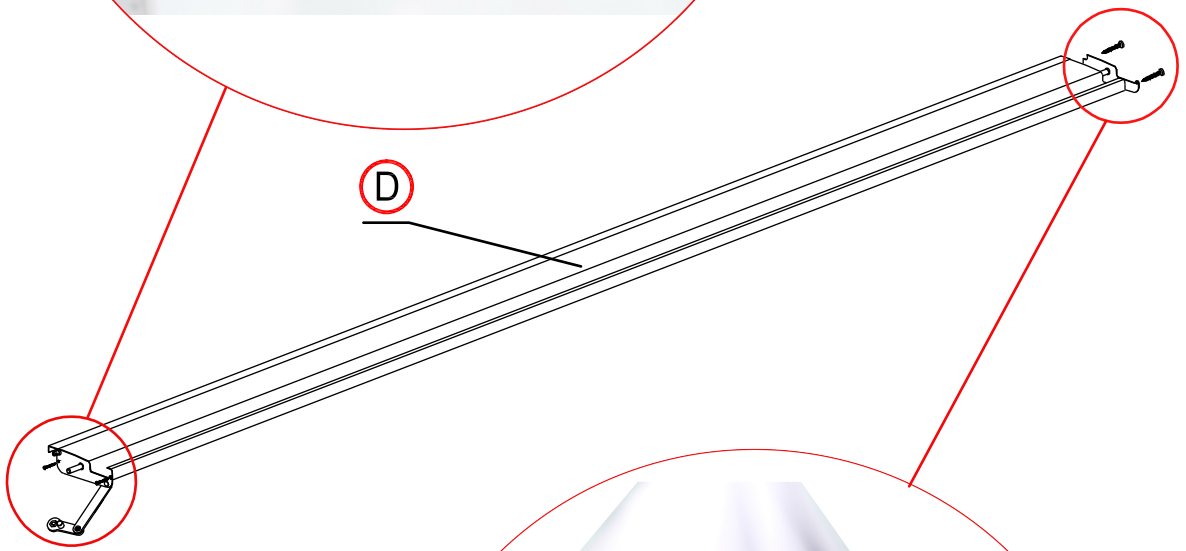
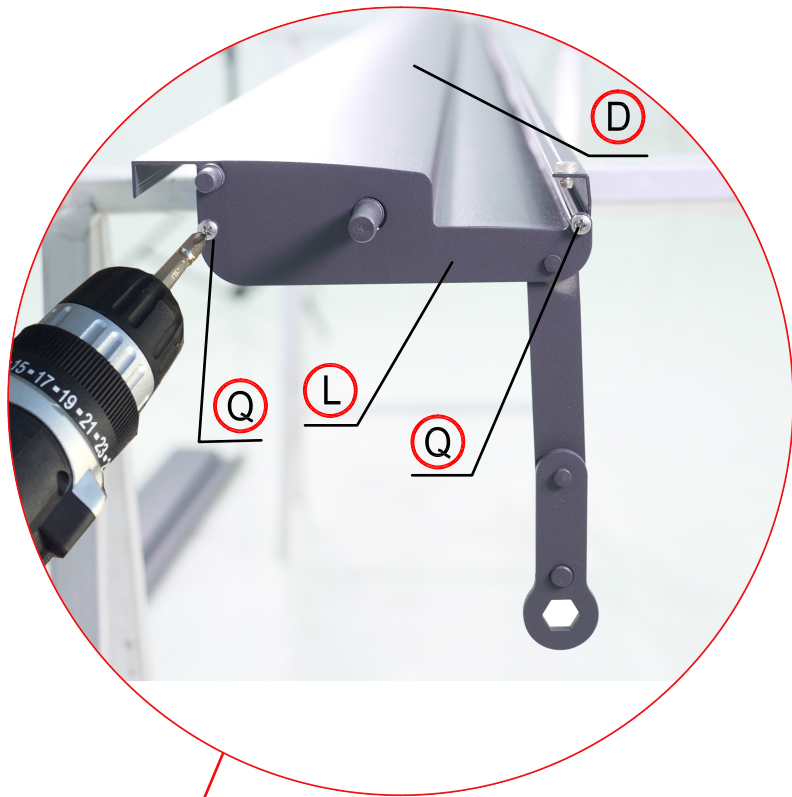


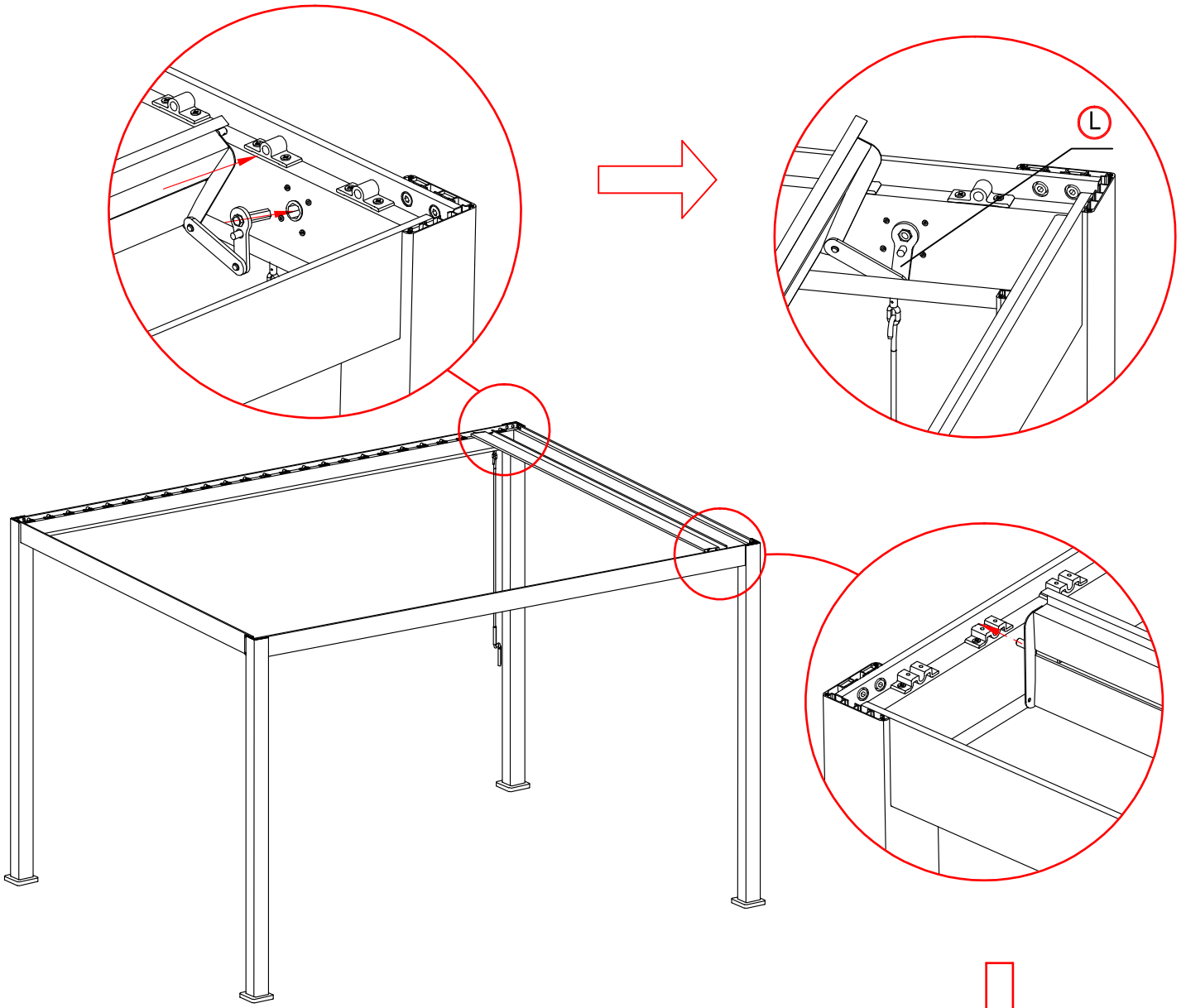


6

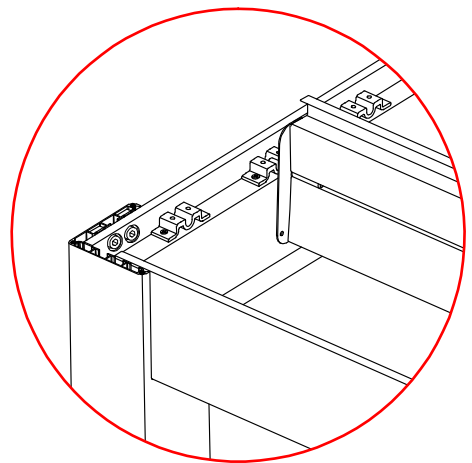
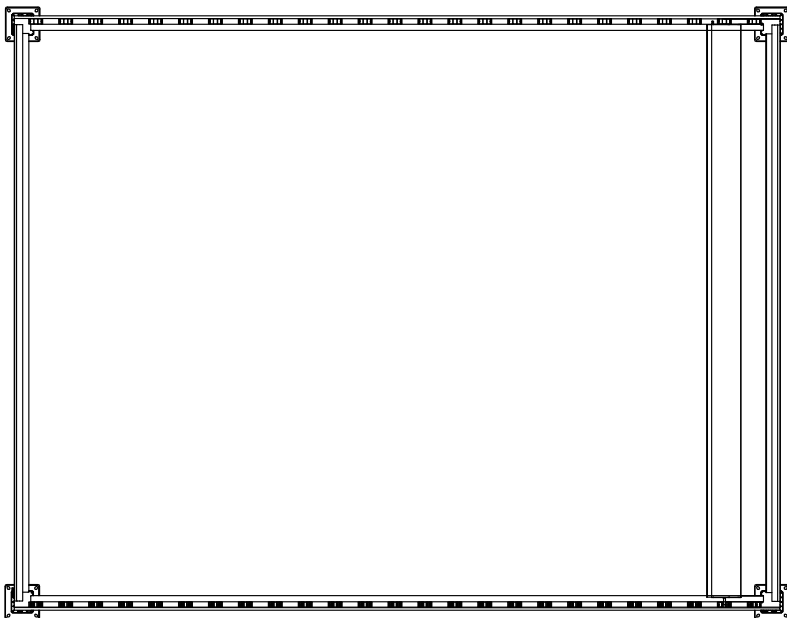
7

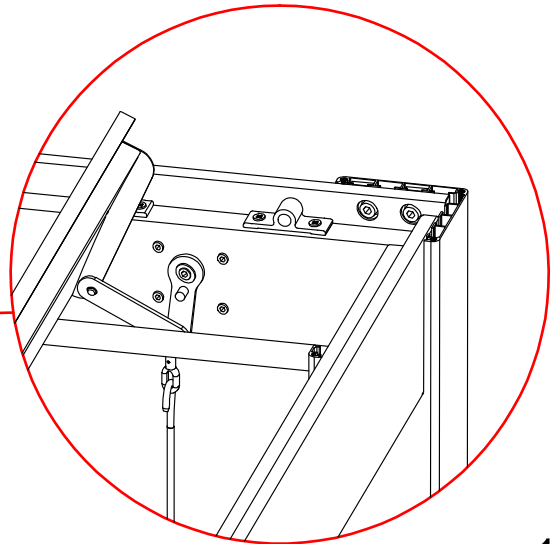
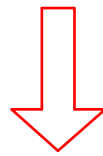
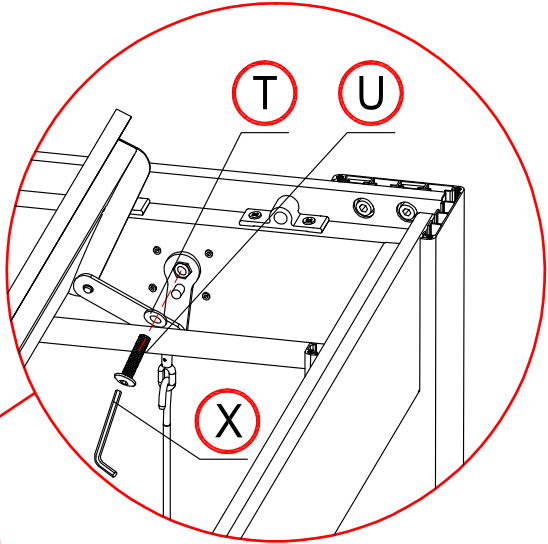
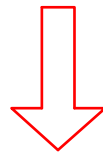
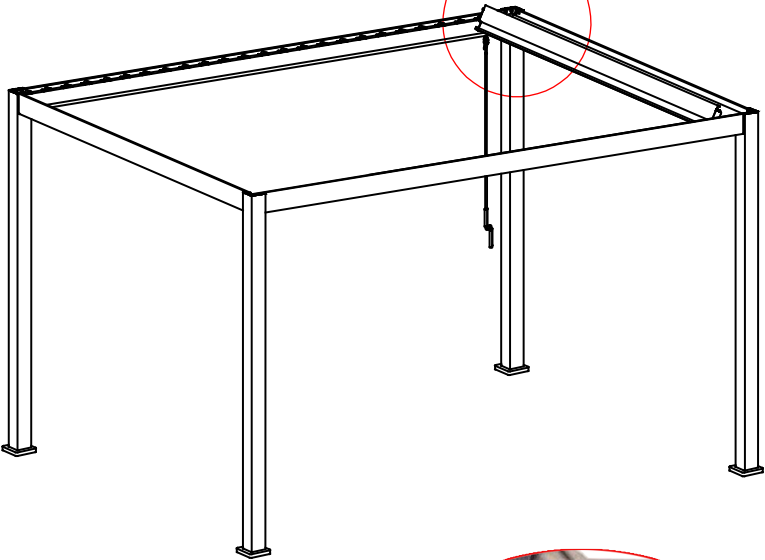
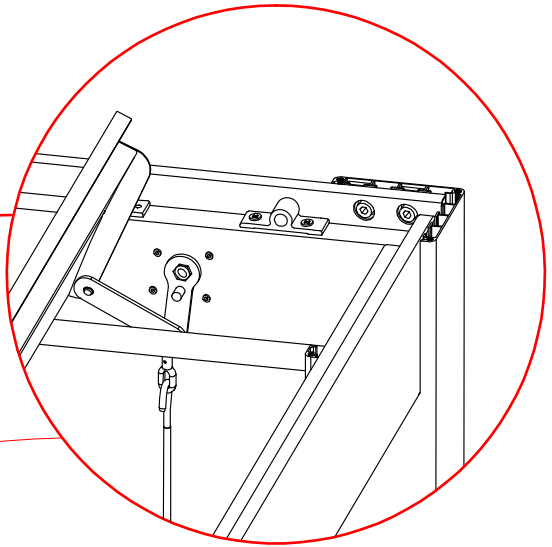


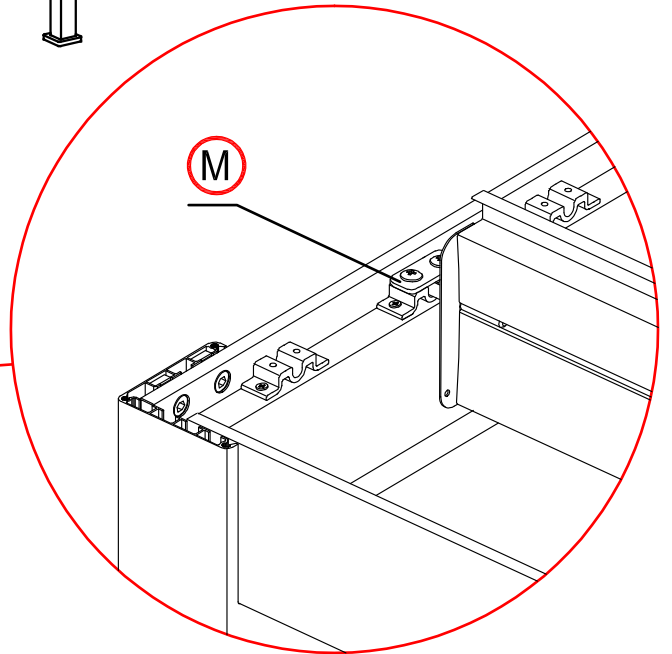
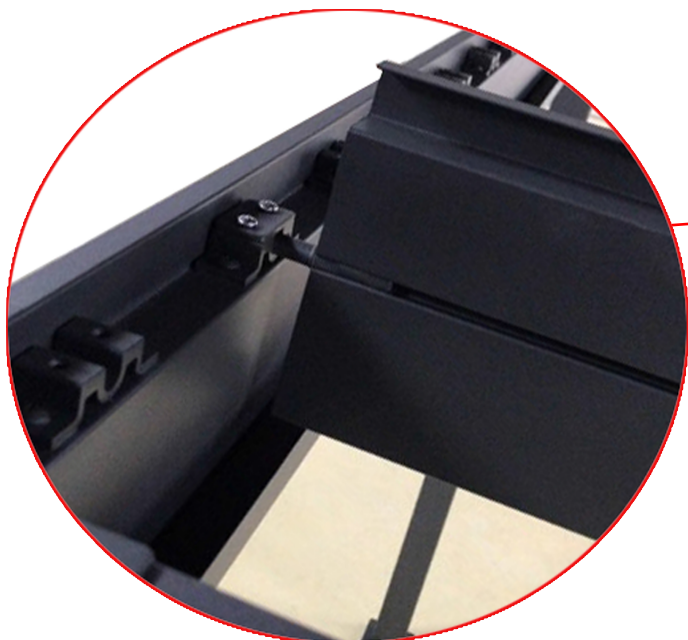
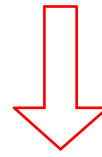
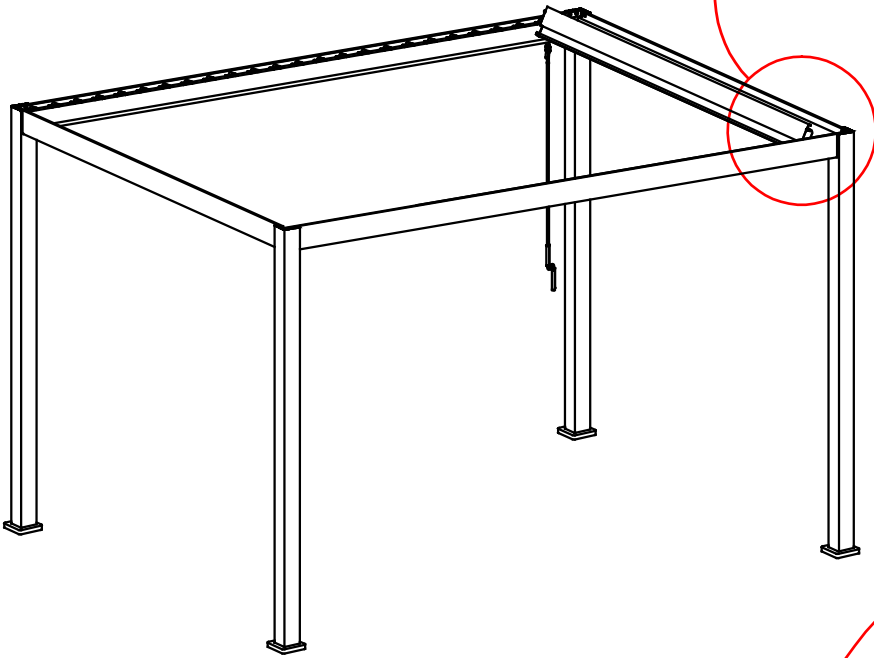
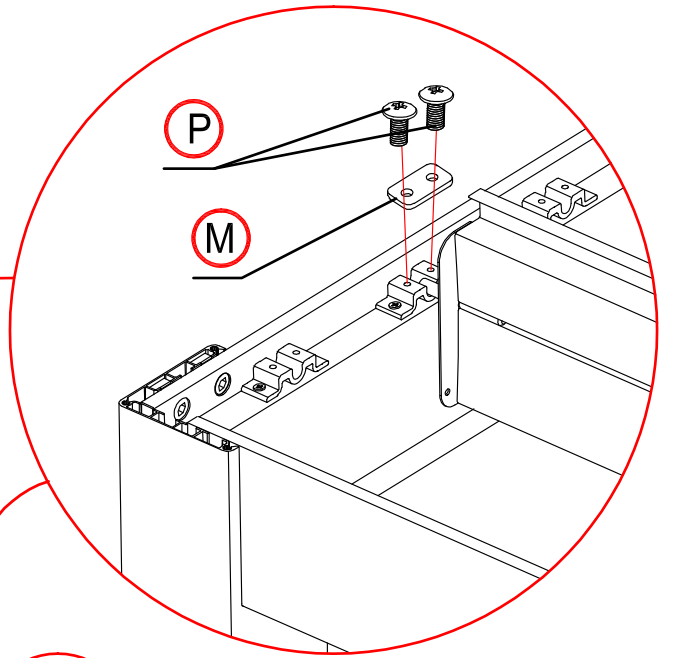
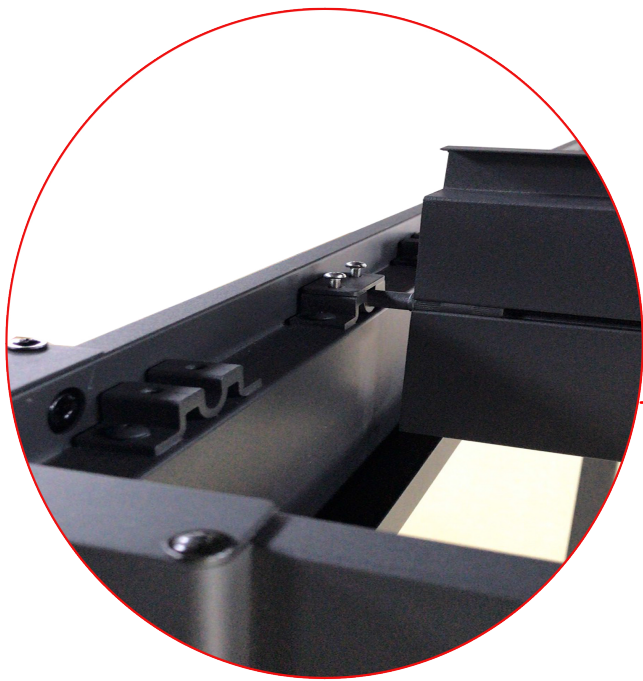




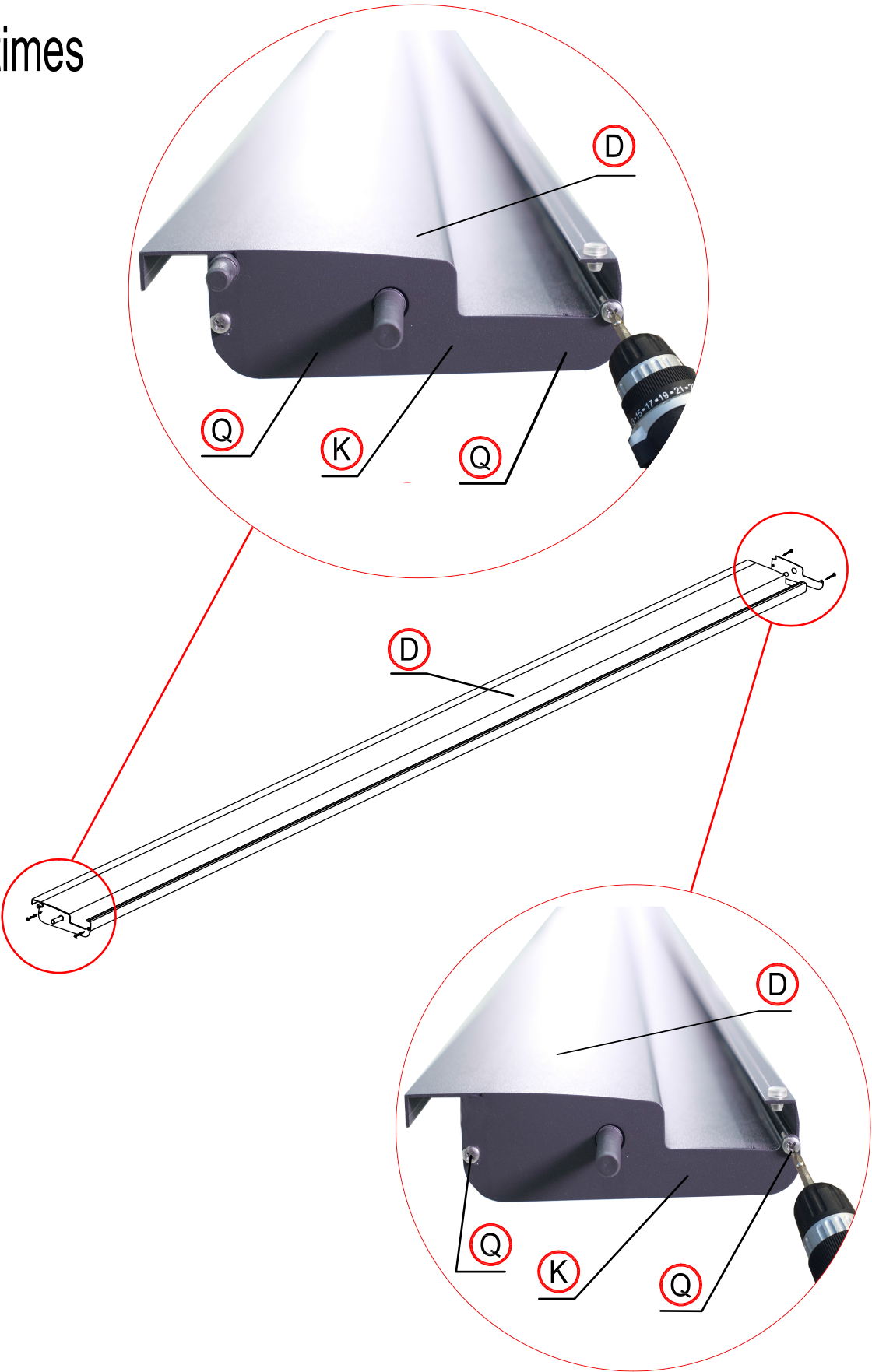
Assemble the second slice to the right.

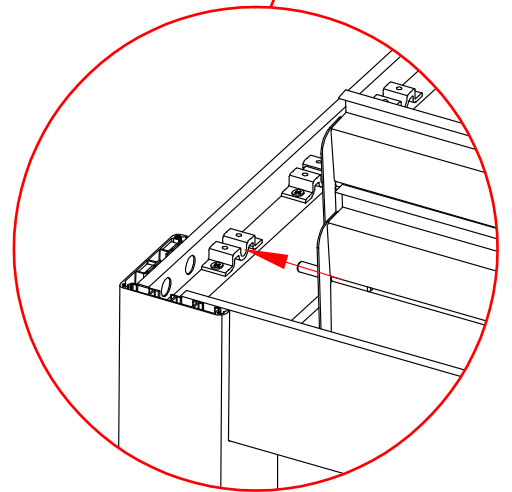
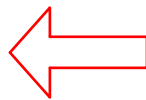
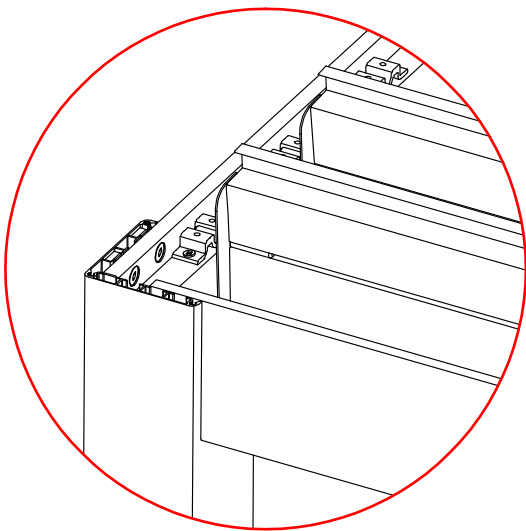
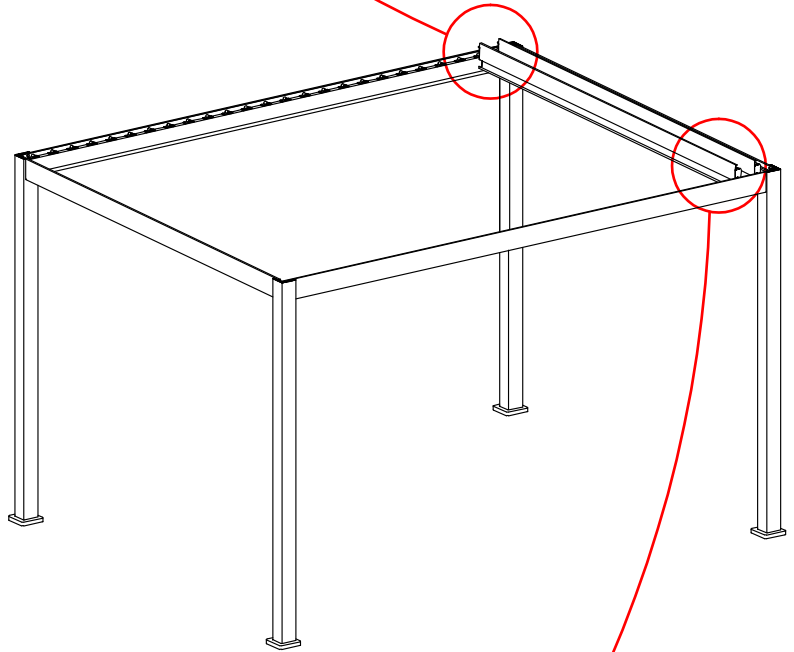
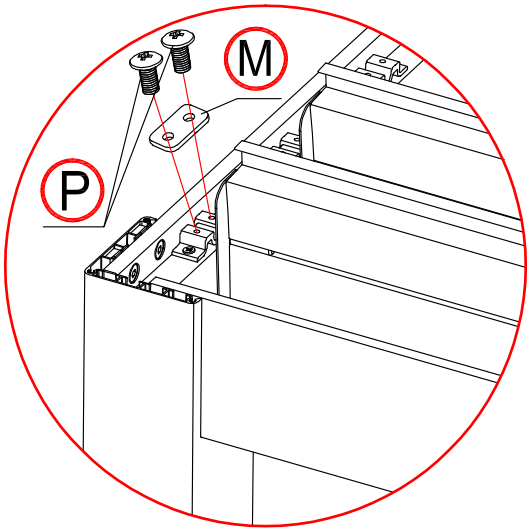
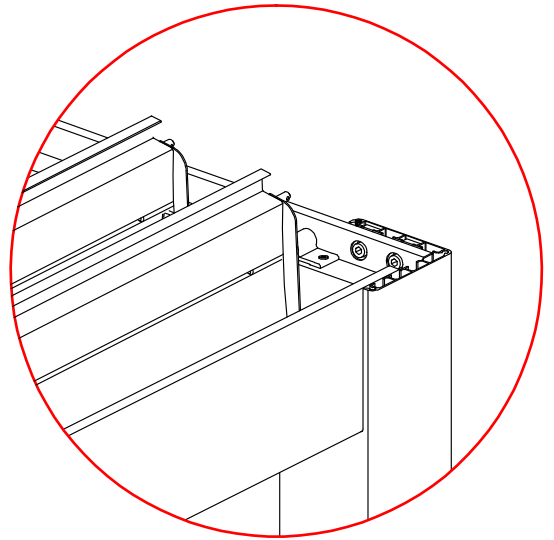
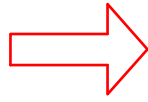
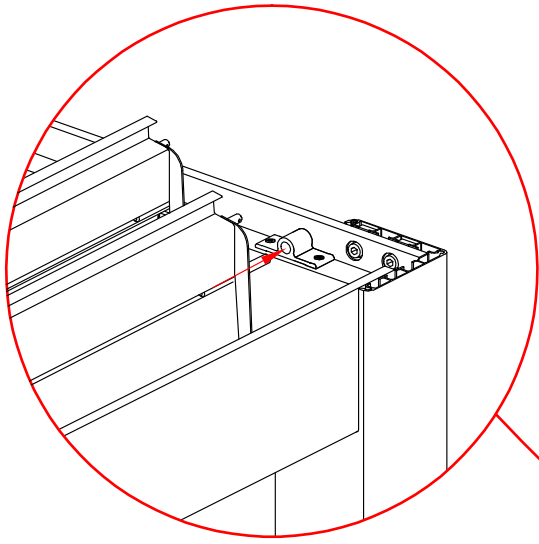






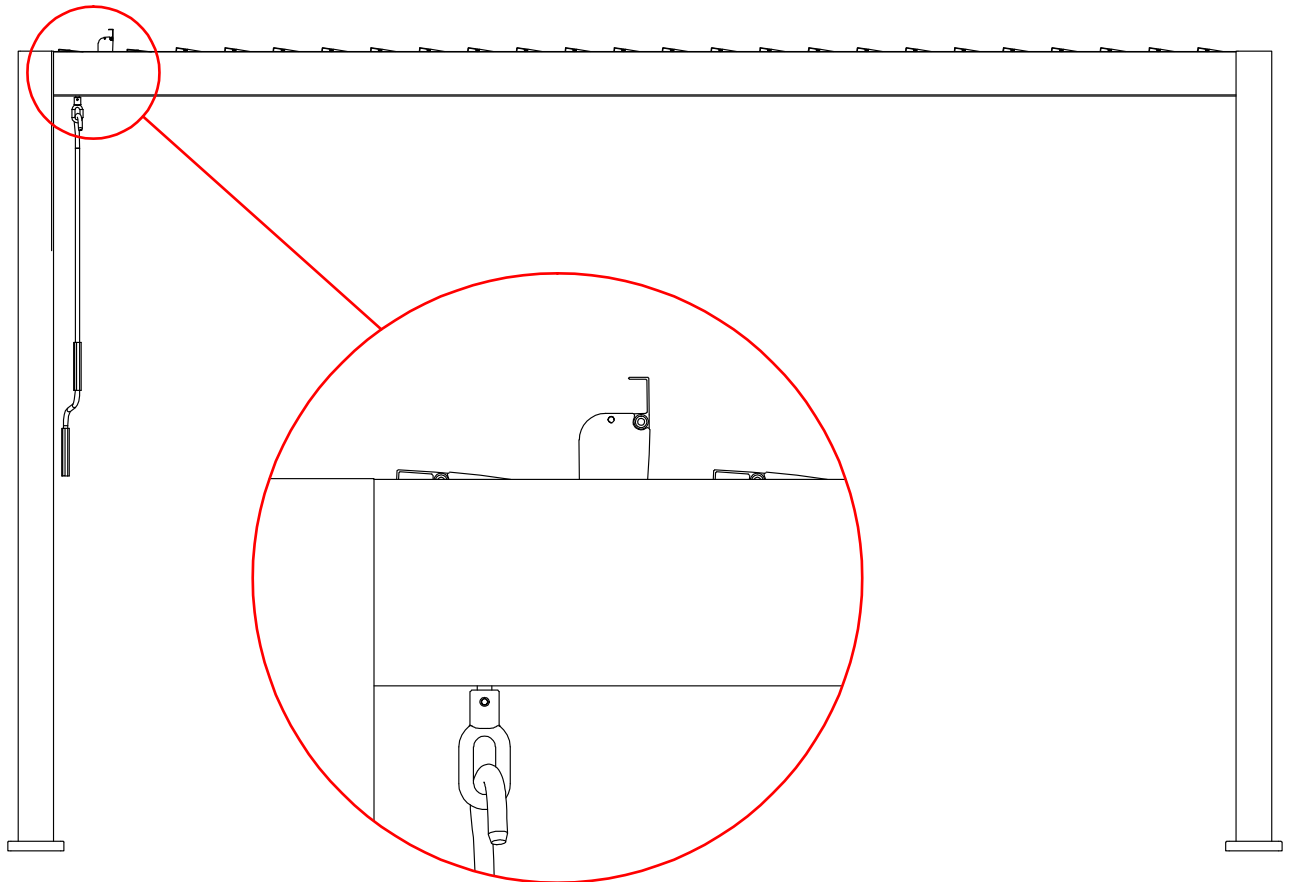
x24 times

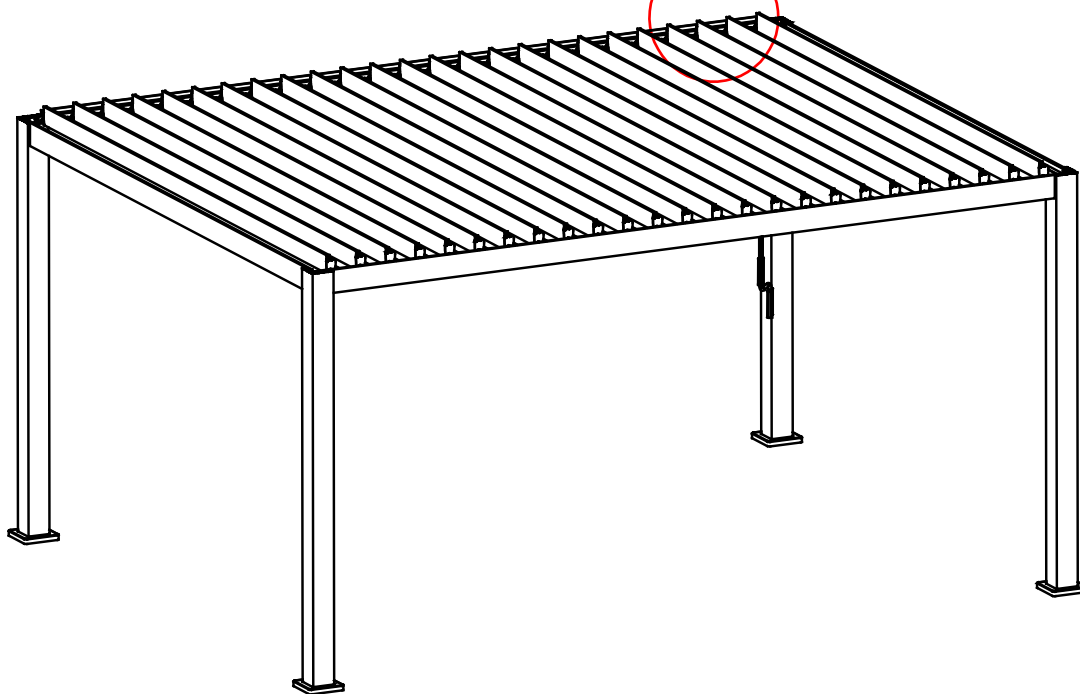
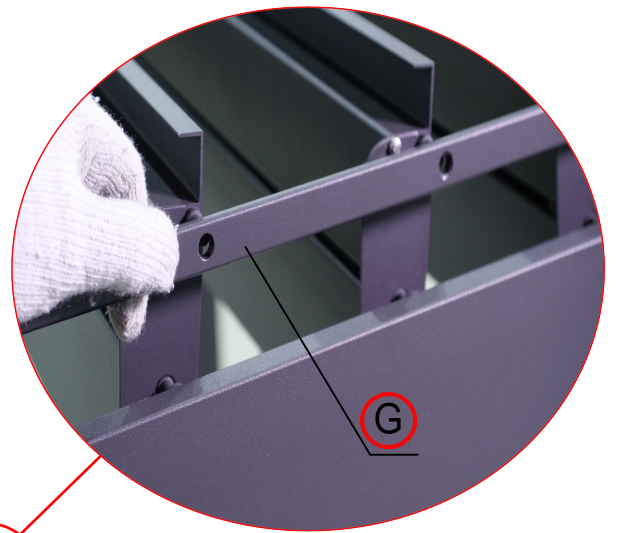
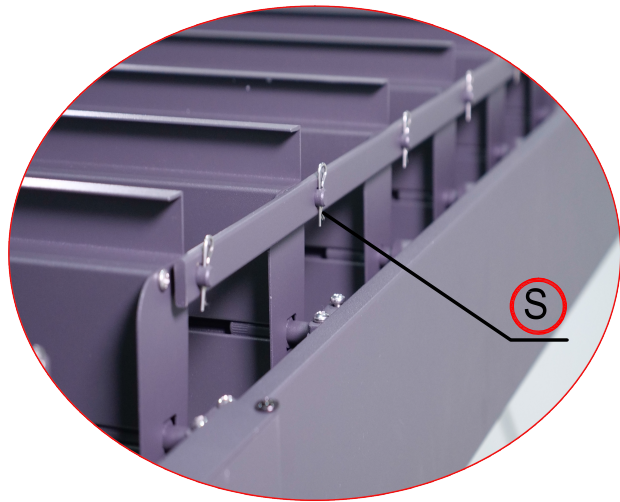
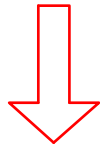
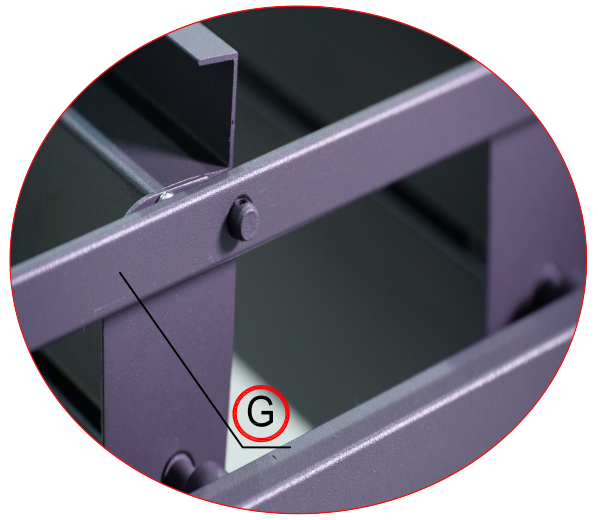


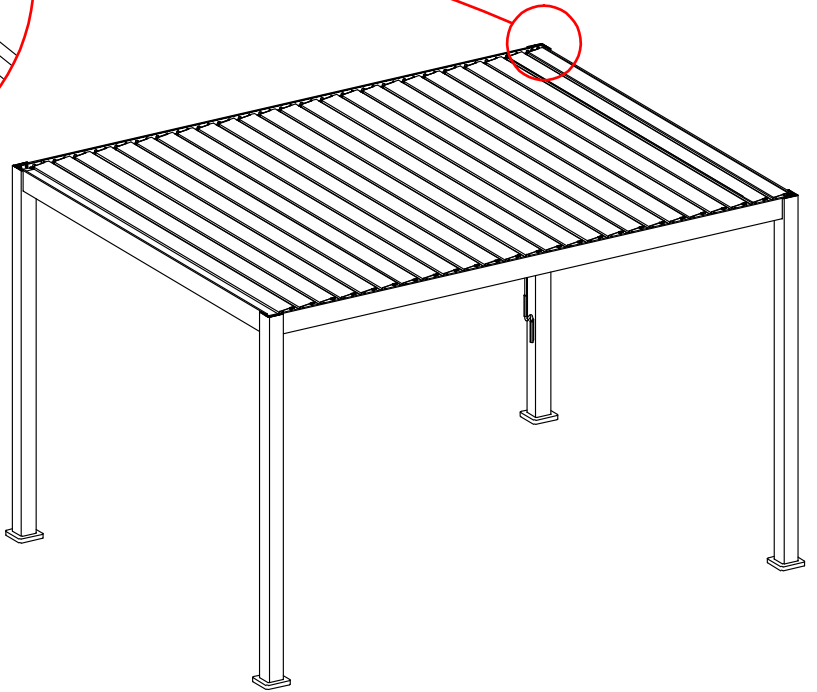
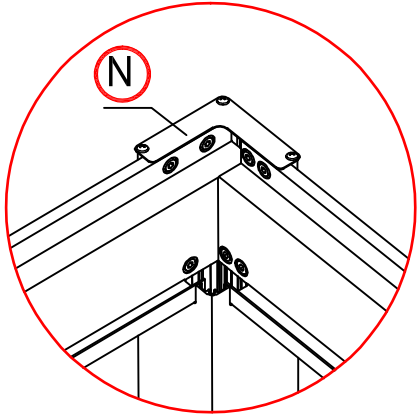
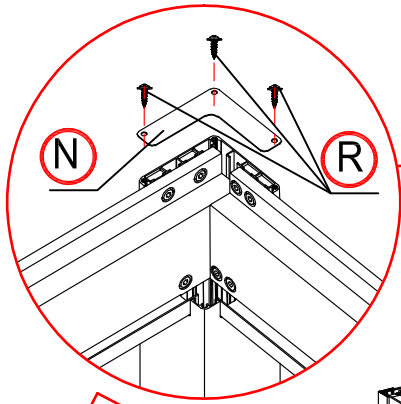




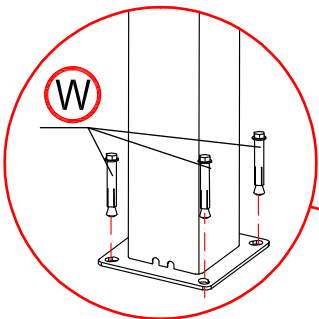
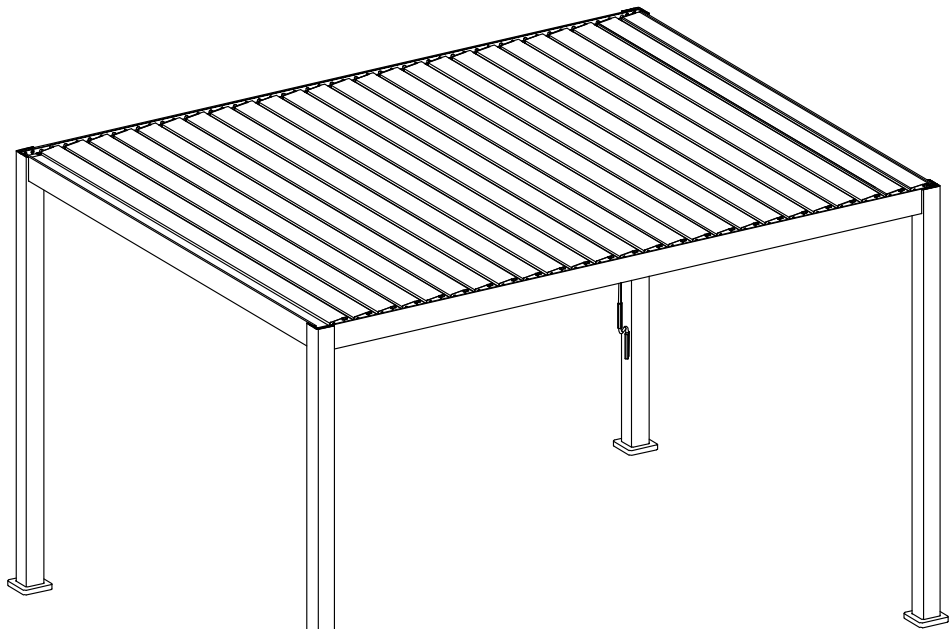
Make the shutter as vertical.







17



18

17