

# User Manual



If you are satisfied with this product, please let us know. If you have questions, we're always here to help! You know the strength of social media nowadays and we would appreciate a positive review on the website of your purchase. We appreciate the time you have taken and will actively use it to improve our products and service to you. Please, visit our website [www.sorara.eu](http://www.sorara.eu) for more information about our products and where you can purchase them.

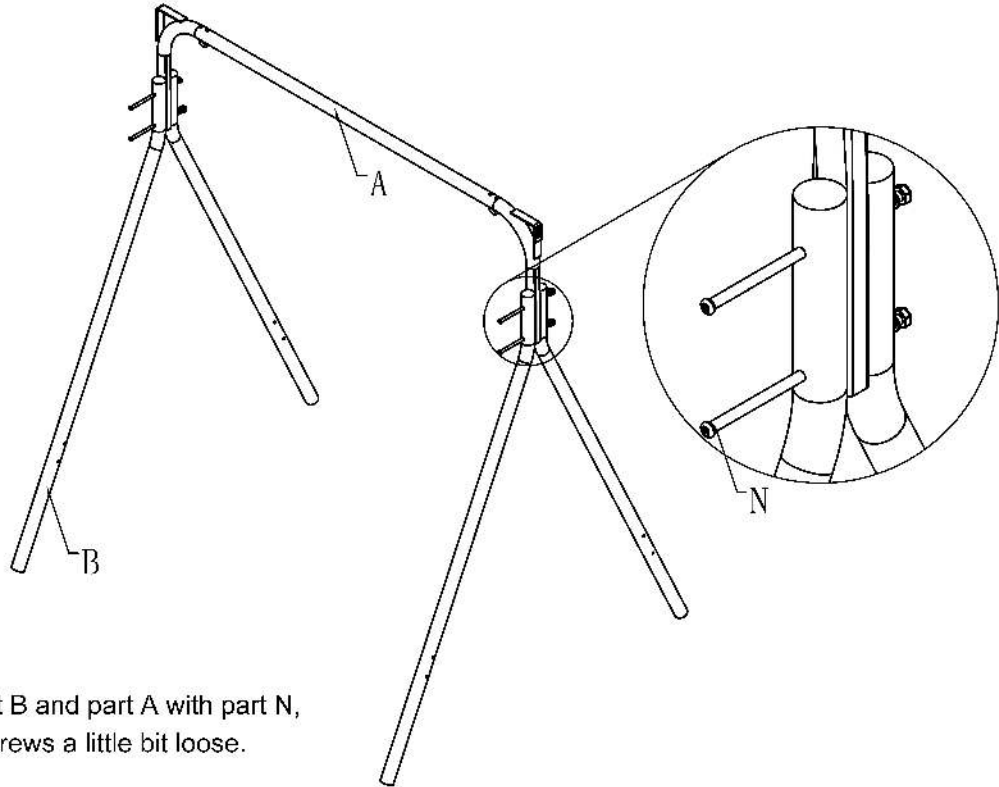
✉ [info@sorara.eu](mailto:info@sorara.eu)

💻 [www.sorara.eu](http://www.sorara.eu)



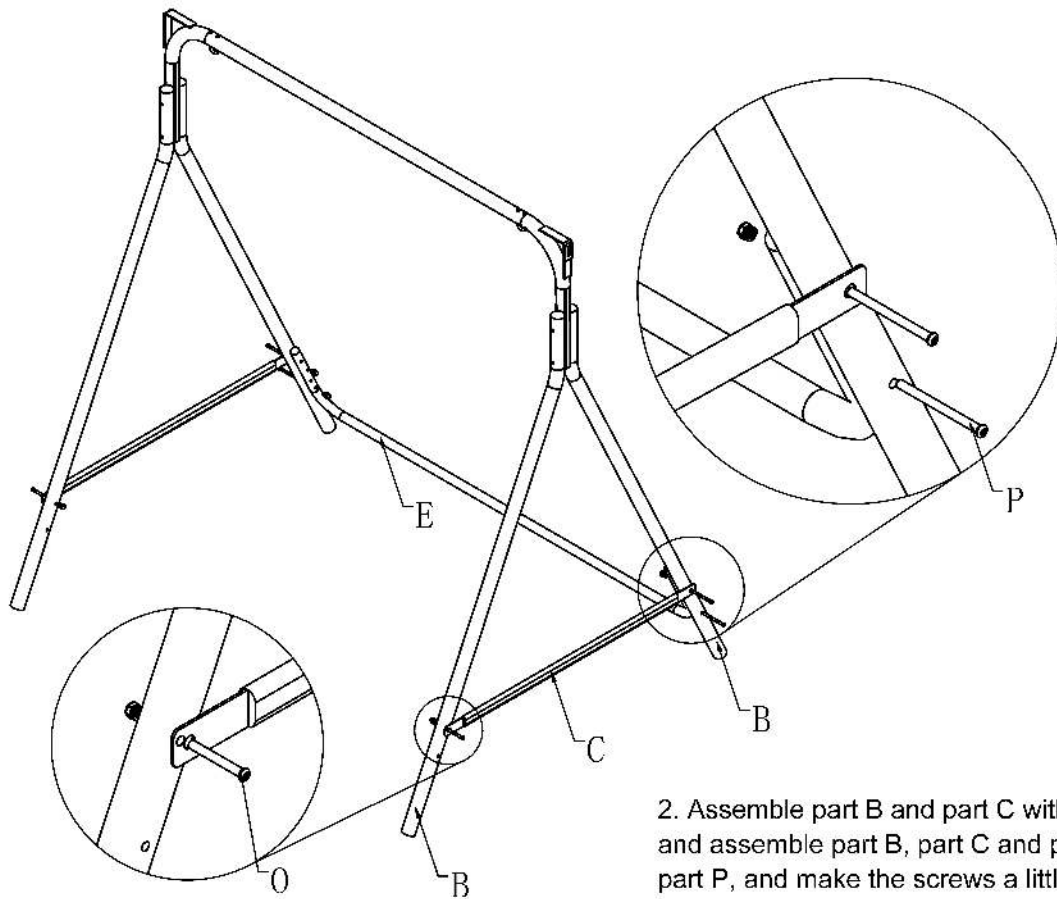
REF	PICTURE	QTY	REF	PICTURE	QTY
A		1pc	K		2pcs
B		4pcs	L		2pcs
C		4pcs	M	M8x50mm	2pcs
D		2pcs	N	M8x90mm	4pcs
E		1pc	O	M6x47mm	2pcs
F		2pcs	P	M6x75mm	4pcs
G		1pc	Q		8pcs
H		1pc	R		14pcs
I		1pc	S		6pcs
J		1pc	T		4pcs
			U		1pc
			V		1pc

1



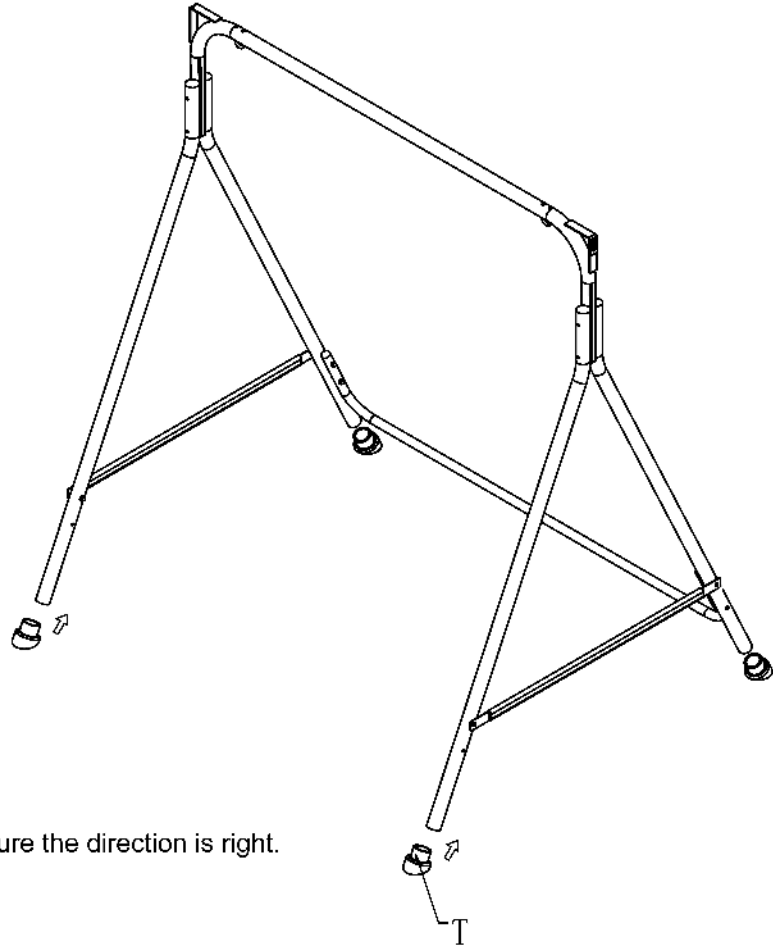
1. Assemble part B and part A with part N, and make the screws a little bit loose.

2



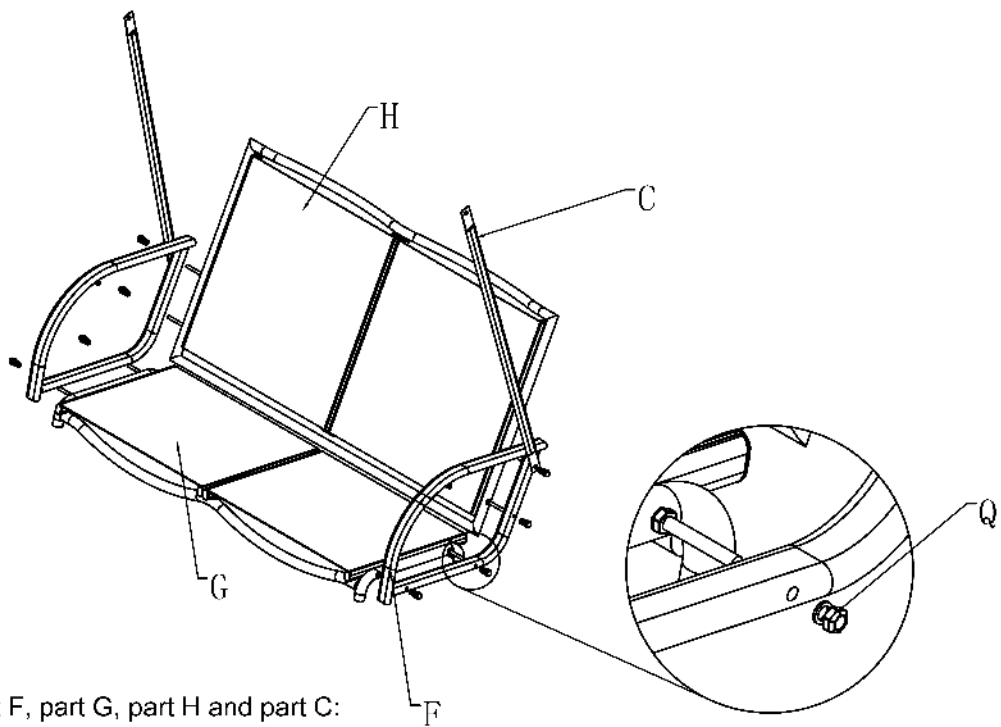
2. Assemble part B and part C with part O, and assemble part B, part C and part E with part P, and make the screws a little bit loose.

3



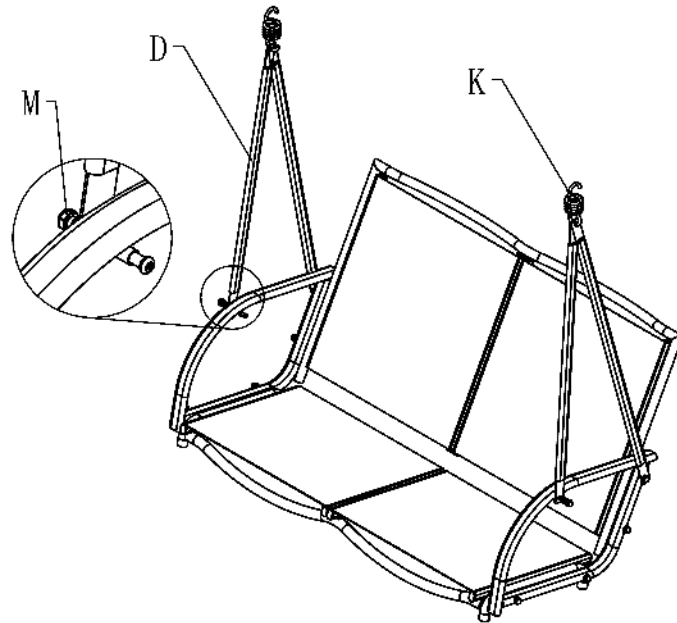
3. Assemble part T and make sure the direction is right.

4



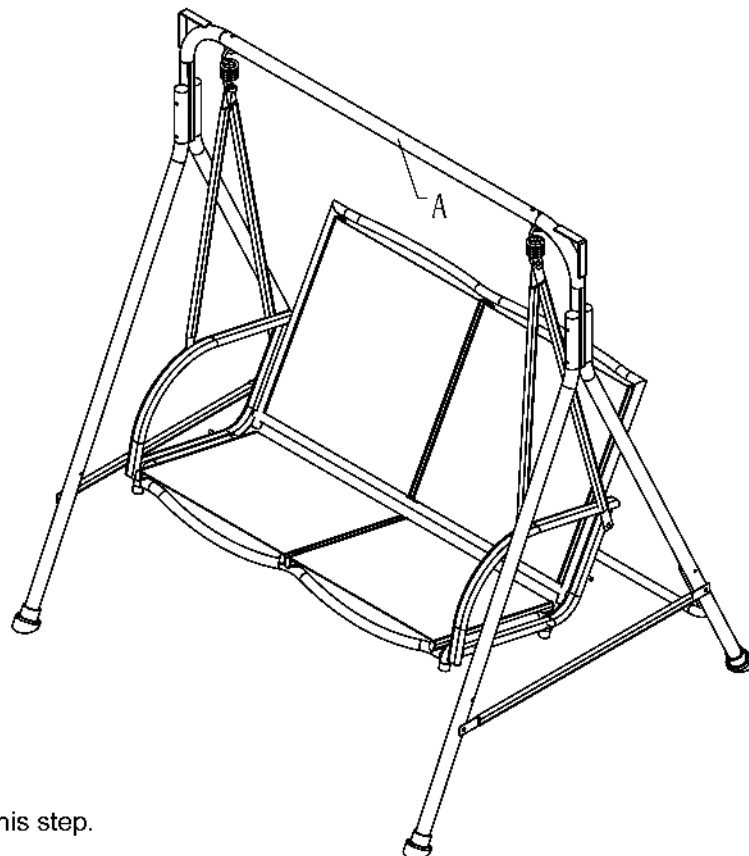
4. Assemble part F, part G, part H and part C:  
Connect part F to the screws of part G and  
part H. Recommend 2 persons for this step.  
One person holds the part H, and the other  
one assembles the part F. Then twist part Q,  
and make the screws a little bit loose.

5



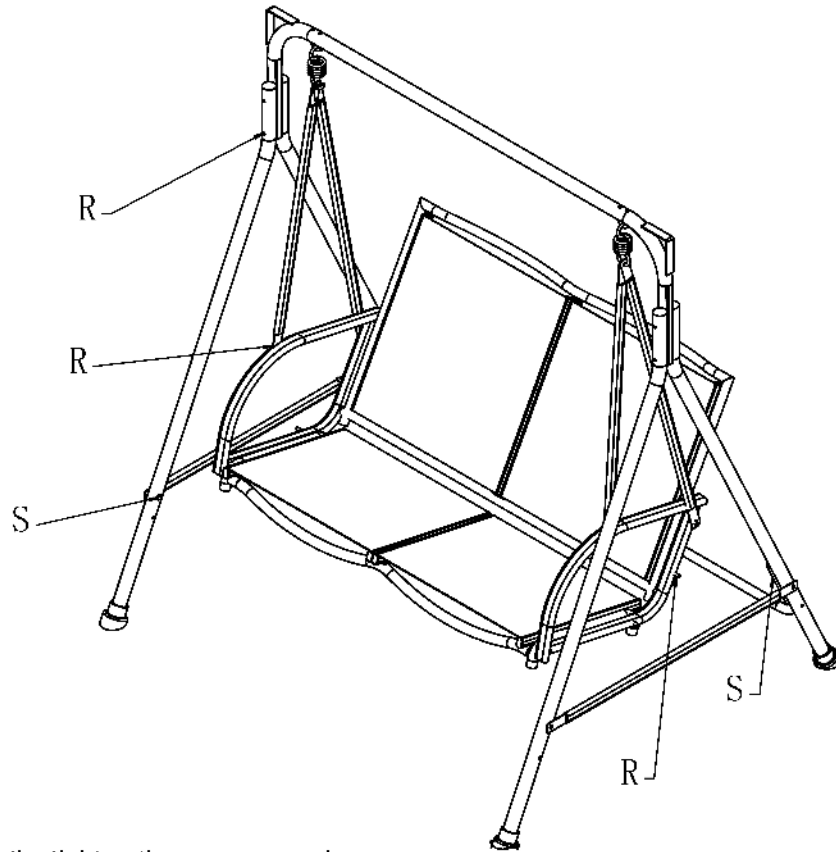
5. Assemble part D and part F with part M, and make the screws a little bit loose. Hang up part K.

6



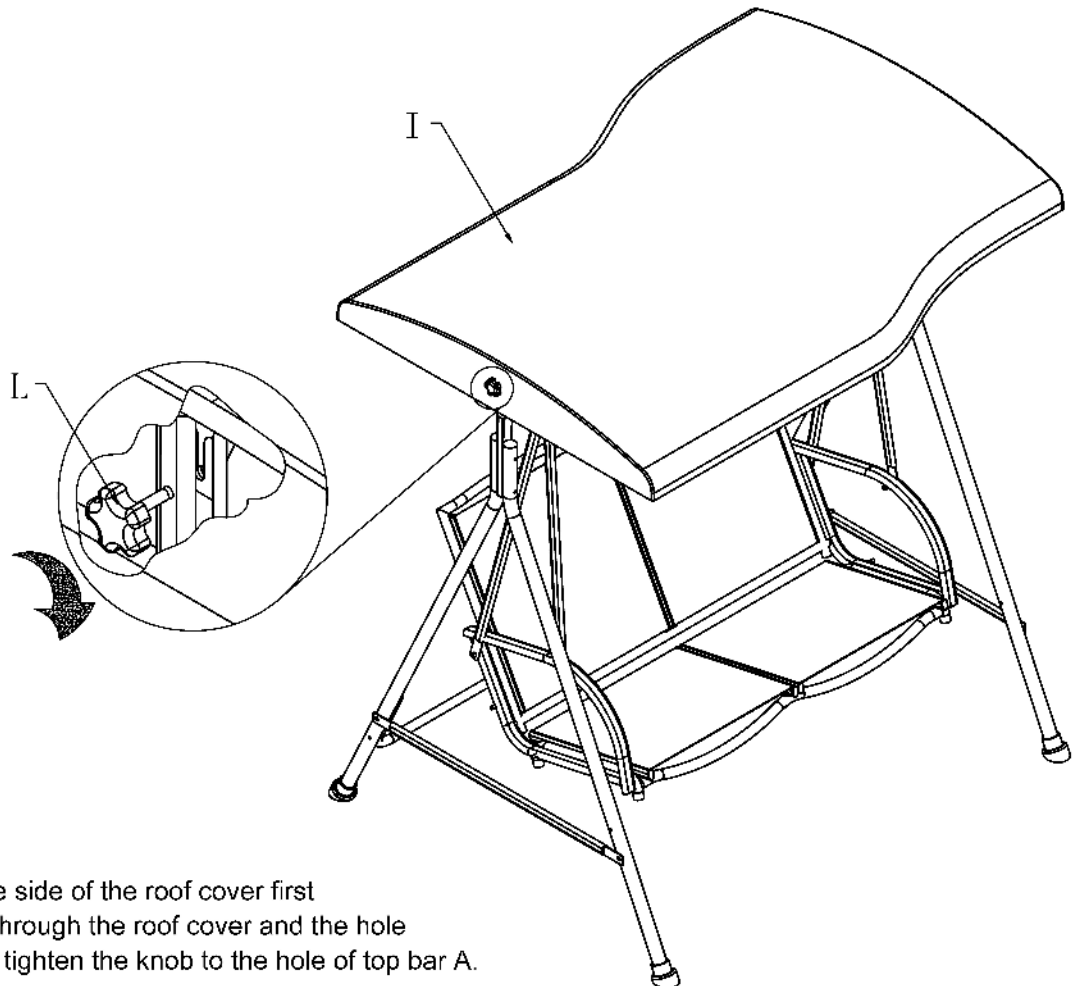
6. Hang the seat to part A. Recommend 2 persons for this step.

7



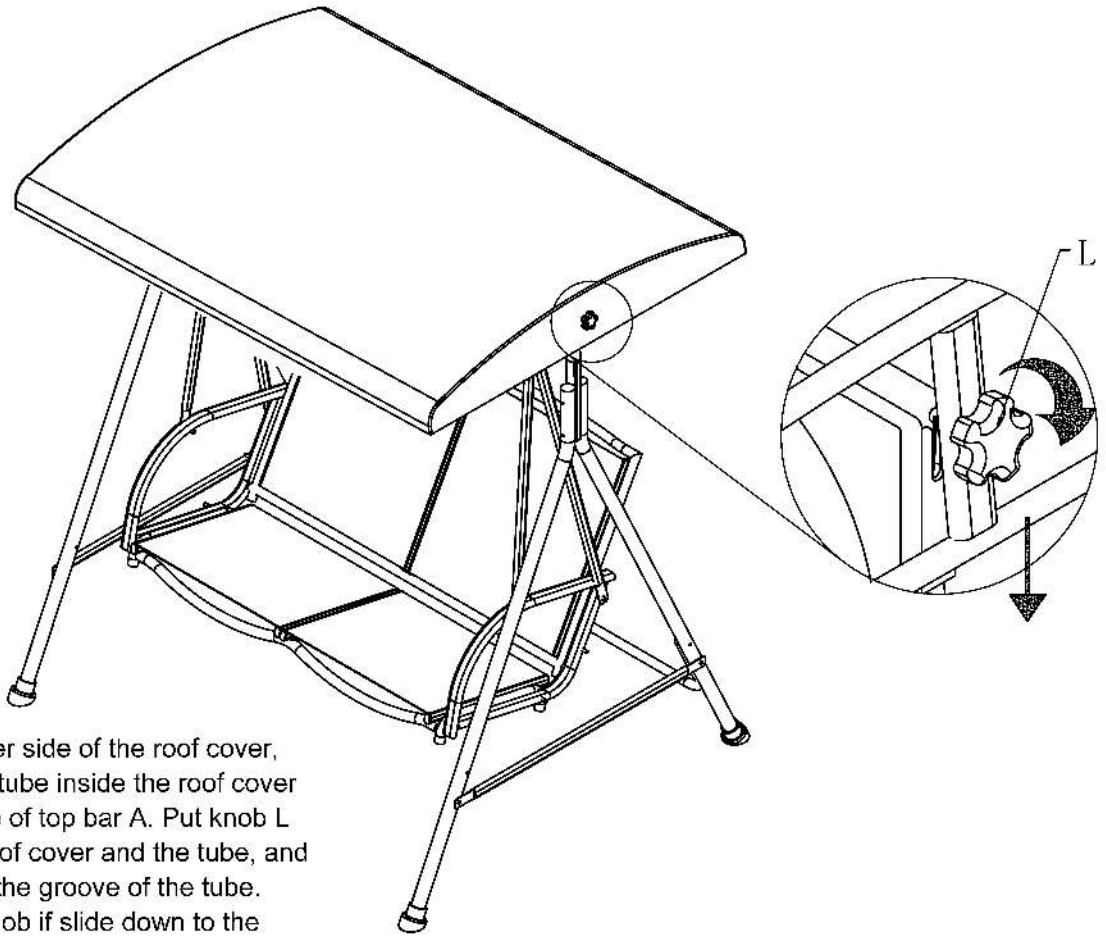
7. Swing the seat gently, tighten the screws one by one.  
Put caps R or S onto the nuts.

8



8. Install one side of the roof cover first  
Put knob L through the roof cover and the hole  
on the tube, tighten the knob to the hole of top bar A.

9



9. For the other side of the roof cover, pull down the tube inside the roof cover along the tube of top bar A. Put knob L through the roof cover and the tube, and slide down in the groove of the tube. Tighten the knob if slide down to the hole on the tube.

10



10. There are velcros on the magazine bag. Pull out the velcros, and stick to the armrest.