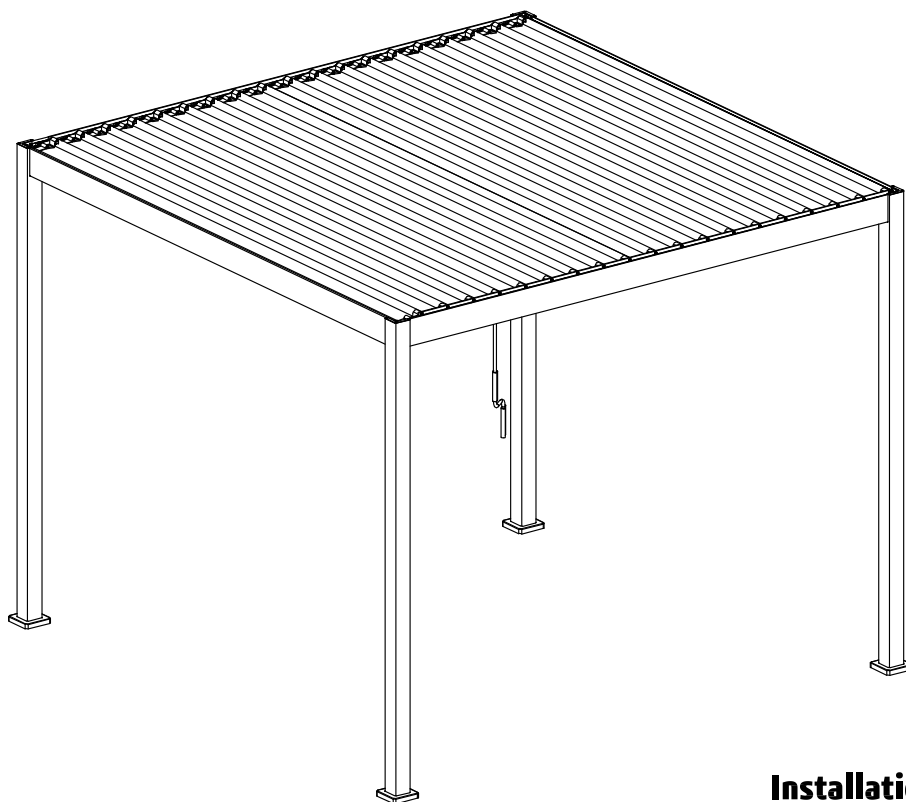


MIRADOR™ 3x3m

User Manual



Installation Video



After-Sale Service Hotline: (+31)(0)40 780 4397

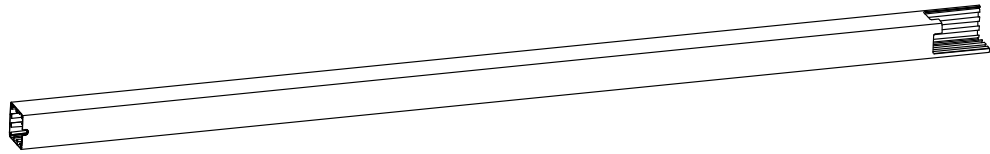
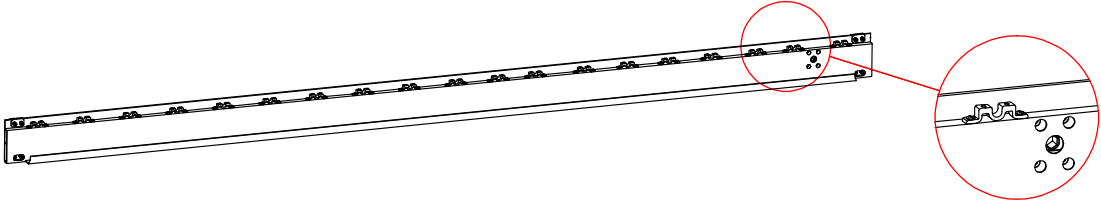
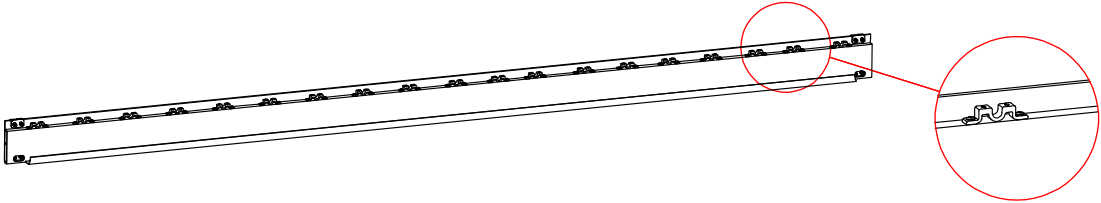
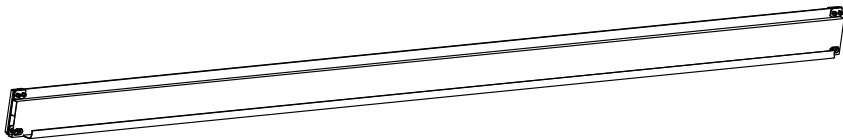
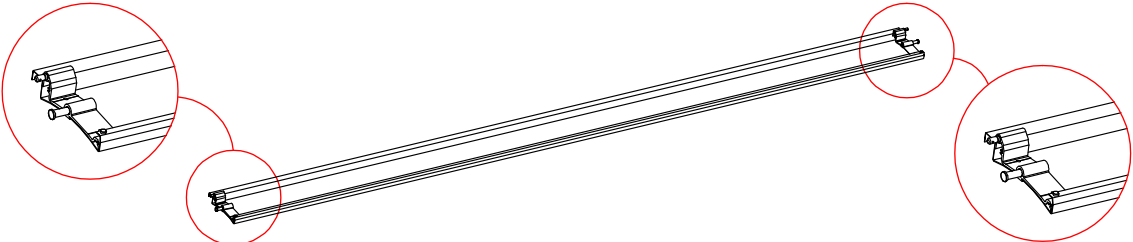
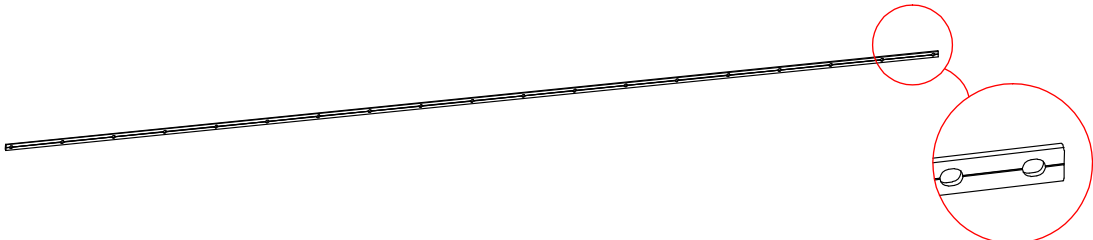
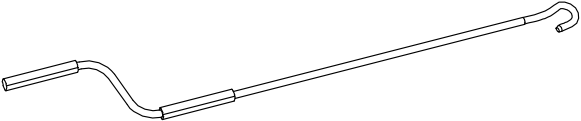
Address

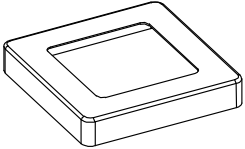
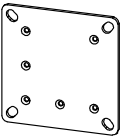
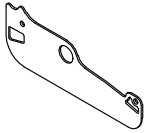
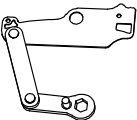
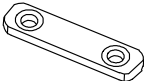
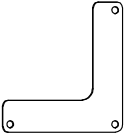
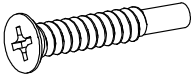

Park 51, Nuenen, The Netherlands



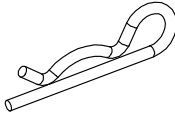
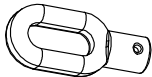
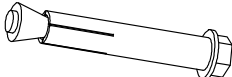


Postal code: 5671 GC

E-mail address: info@sorara.eu

	REF	QTY	REF	QTY	REF	QTY
Carton 1/4	(A)	4PCS	(I)	4PCS	(J)	4PCS
	(K)	37PCS	(L)	1PC	(M)	40PCS
	(N)	4PCS	(O)	24PCS	(P)	80PCS
	(Q)	80PCS	(R)	12PCS	(S)	42PCS
	(V)	1PC	(W)	16PCS	(X)	1PC
	(Y)	2PCS				
	User Manual	1SET				
Carton 2/4	(B1)	1PC	(B2)	1PC	(C)	2PCS
	(G)	2PCS	(H)	1PC		
Carton 3/4	(D)	10PCS				
Carton 4/4	(D)	9PCS				

REF	PICTURE	QTY
A		4PCS
B1		1PC
B2		1PC
C		2PCS
D		19PCS
G		2PCS
H		1PC

REF	PICTURE	QTY
(I)		4PCS
(J)		4PCS
(K)		37PCS
(L)		1PC
(M)		40PCS
(N)		4PCS
(O)	 ST5.65x35mm	24PCS
(P)	 M5x12mm	80PCS

REF	PICTURE	QTY
(Q)	 ST4.2x18mm	80PCS
(R)	 ST5.5x19mm	12PCS
(S)		42PCS
(V)		1PC
(W)		16PCS
(X)		1PC
(Y)		2PCS

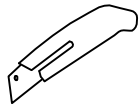
Warning

In snow season or in case of snow forecast open up your shutters in vertical position to avoid any damaging on your pergola.

What you need?



glove



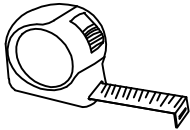
knife



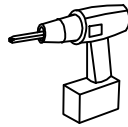
hammer



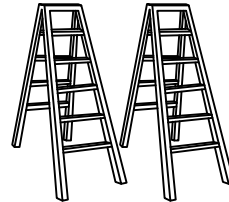
Safety hat



tapeline

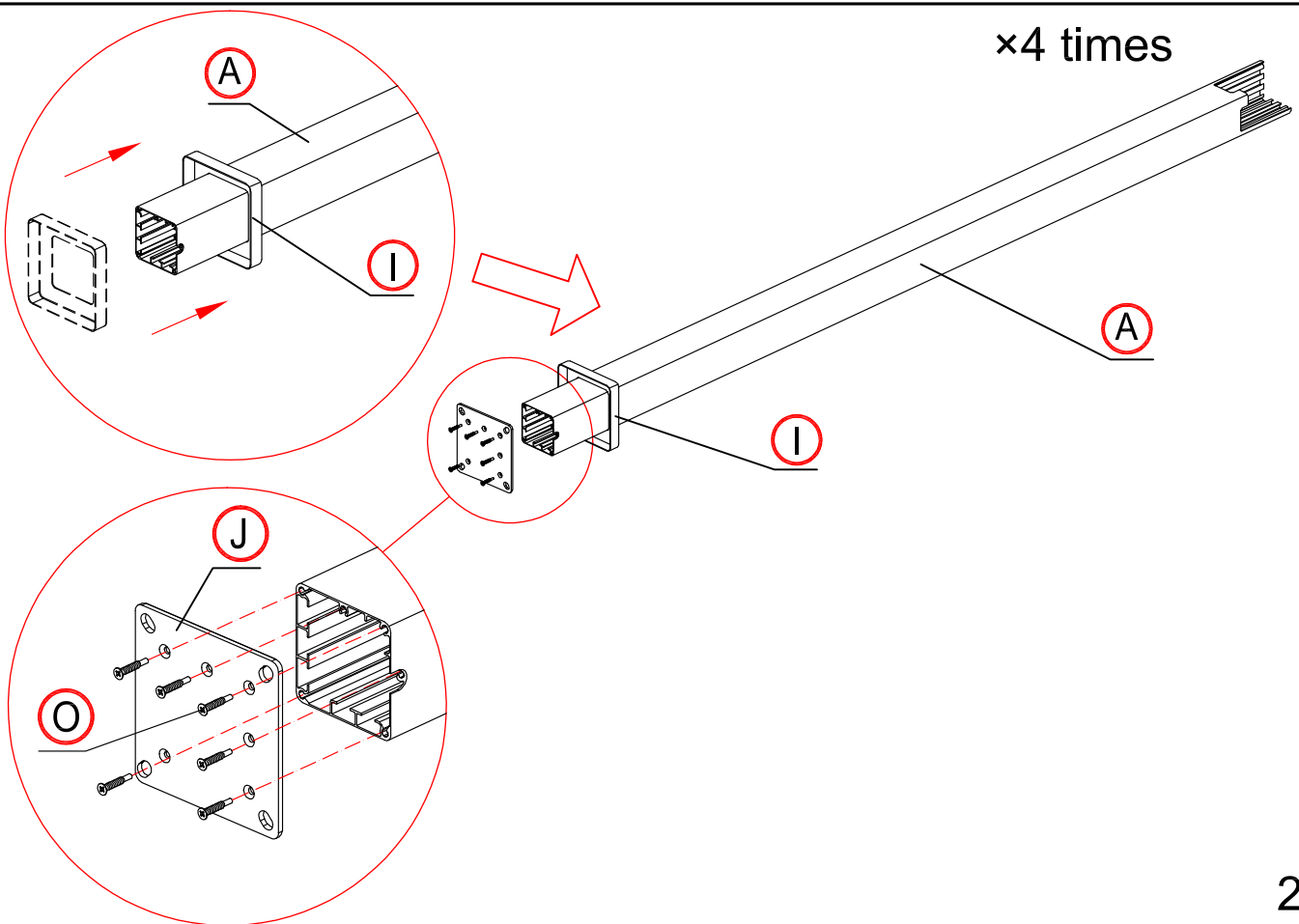


electric screw driver



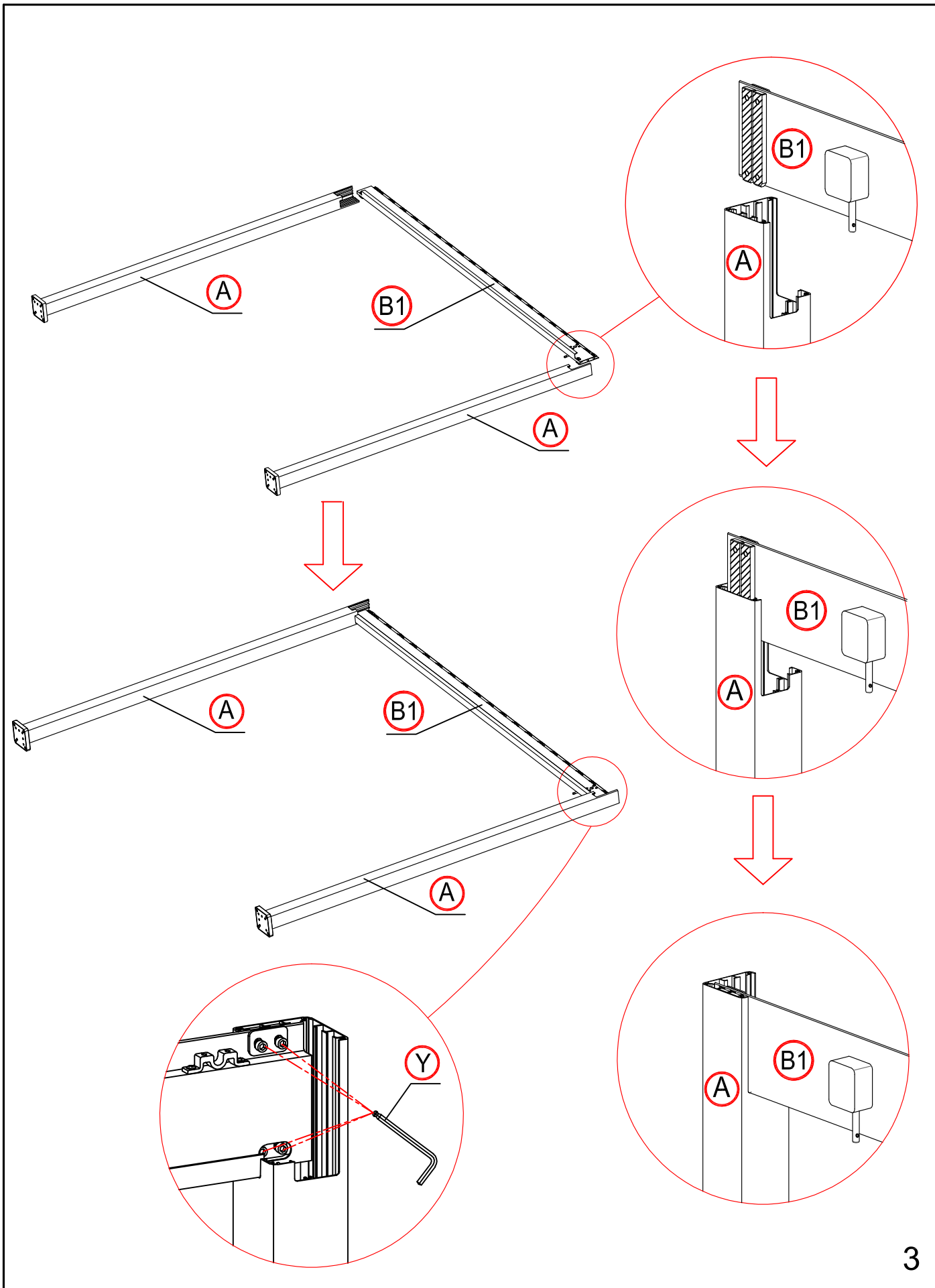
ladder

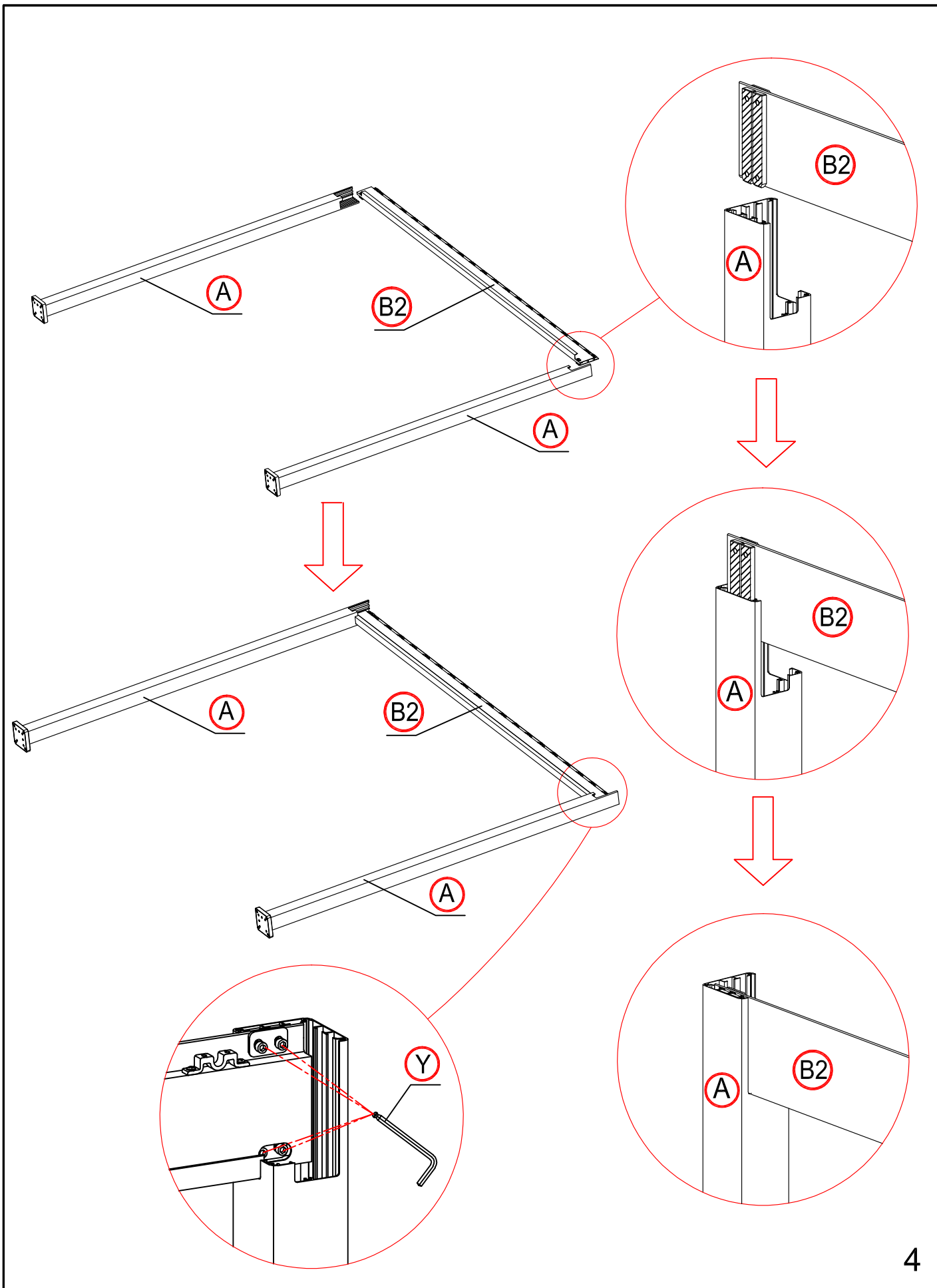
1



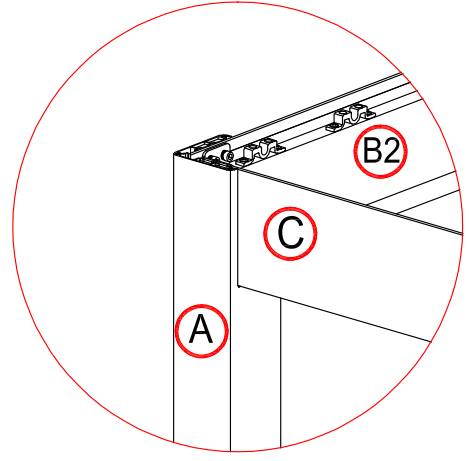
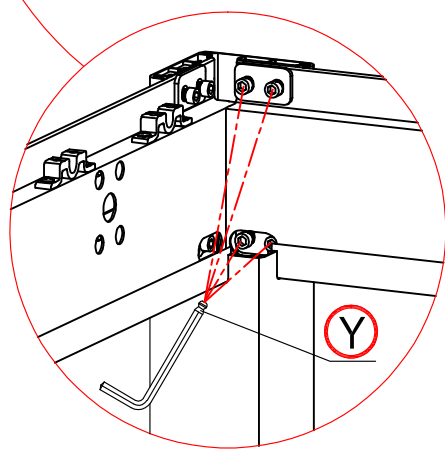
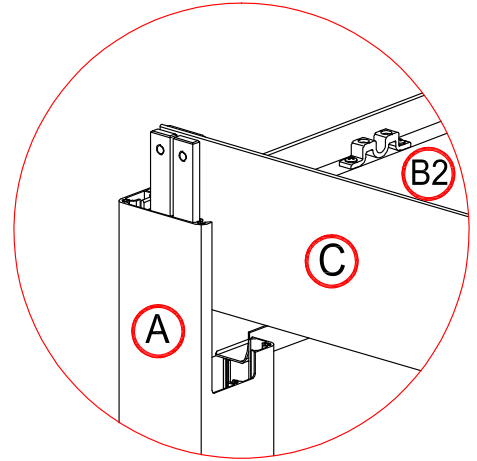
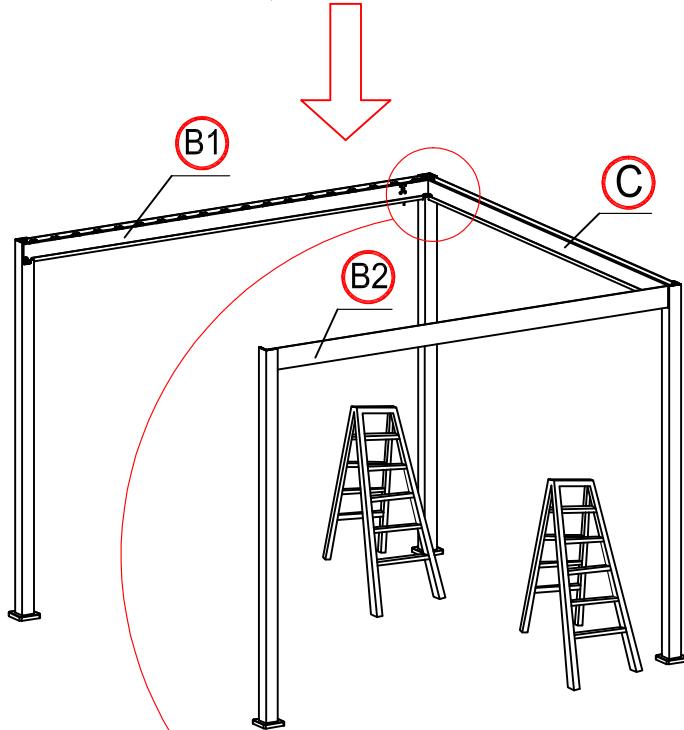
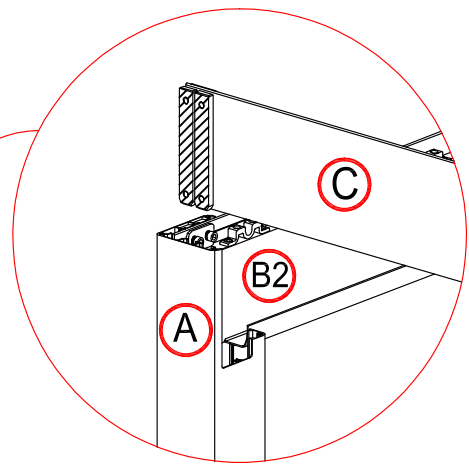
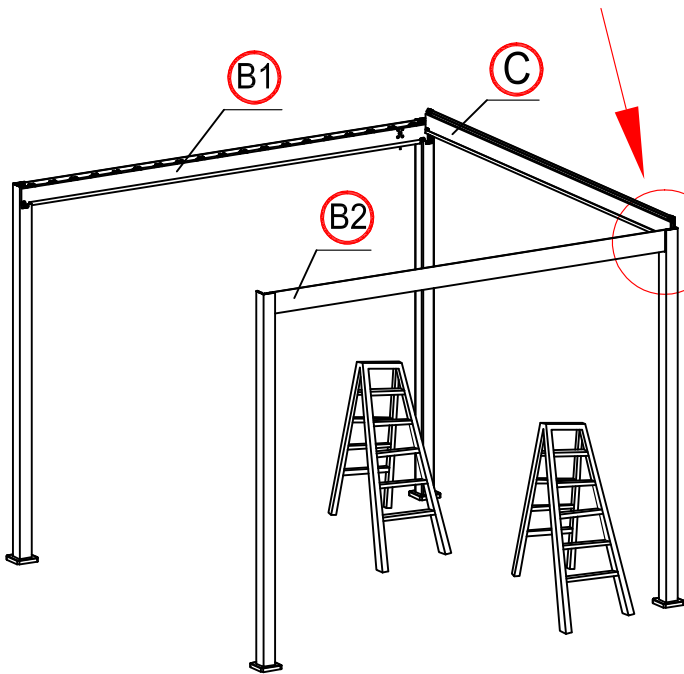
2

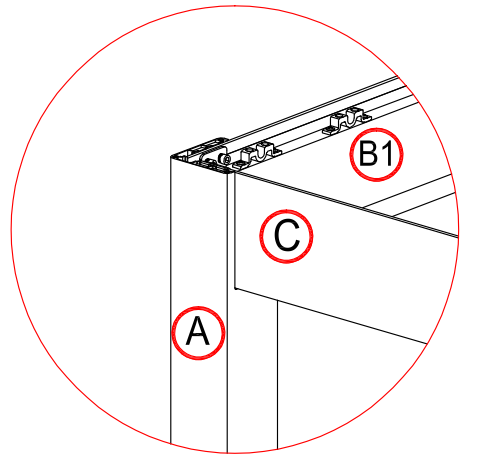
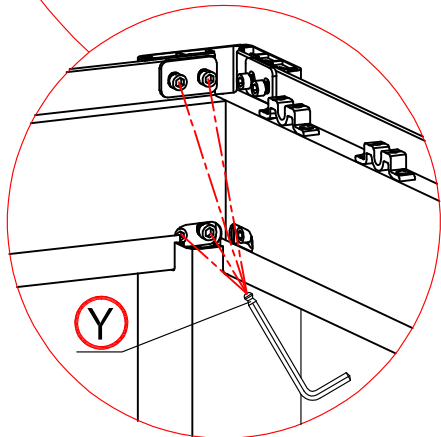
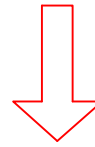
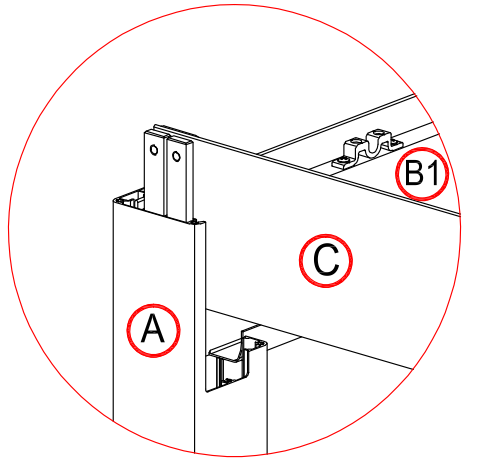
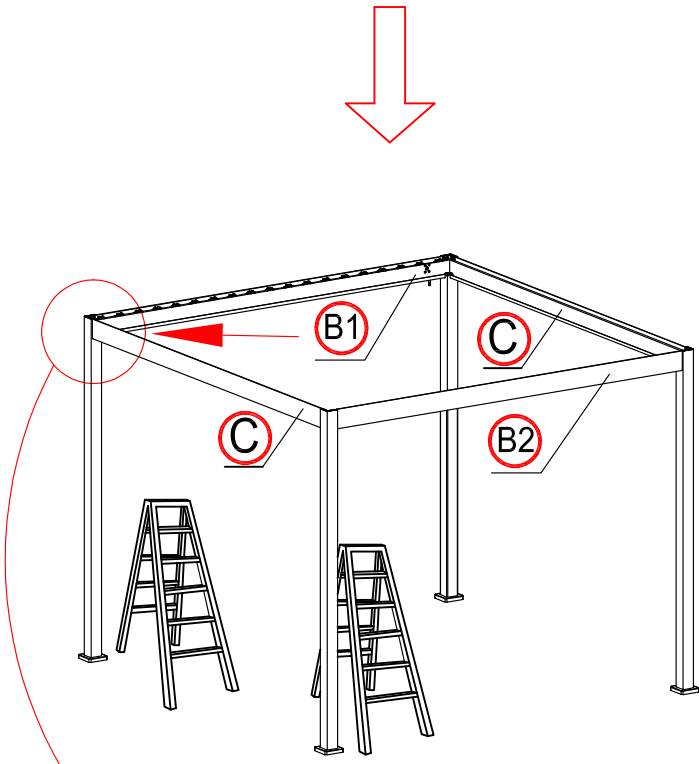
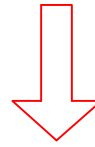
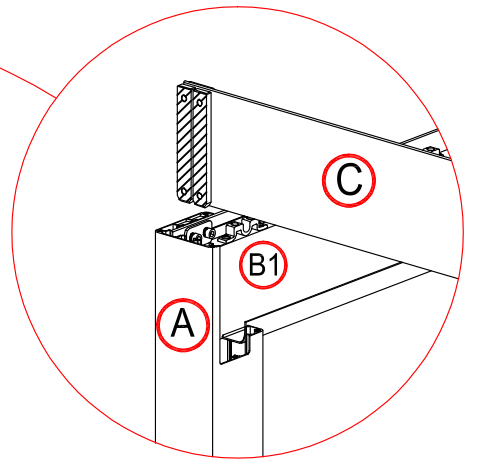
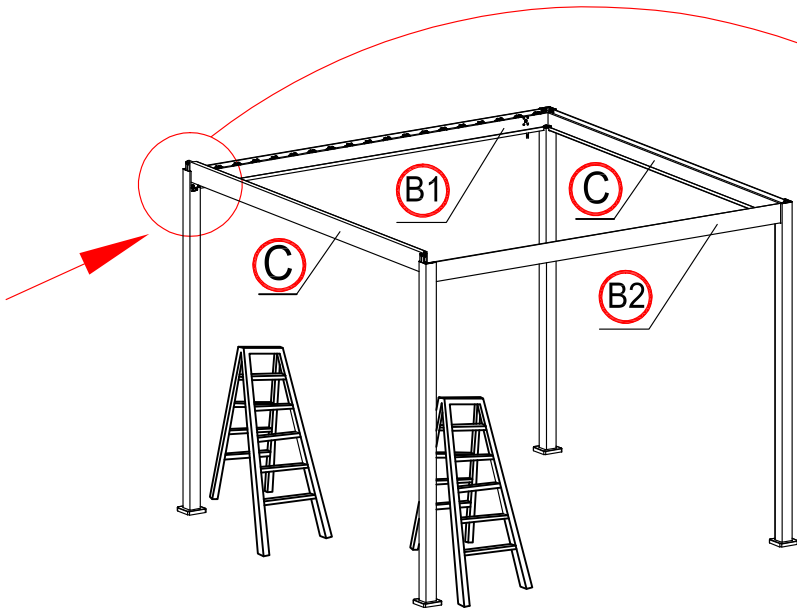
3

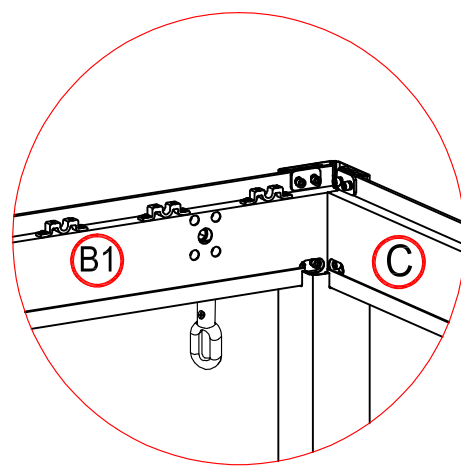
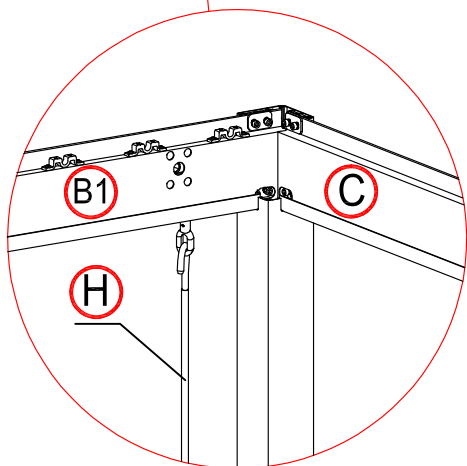
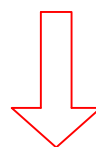
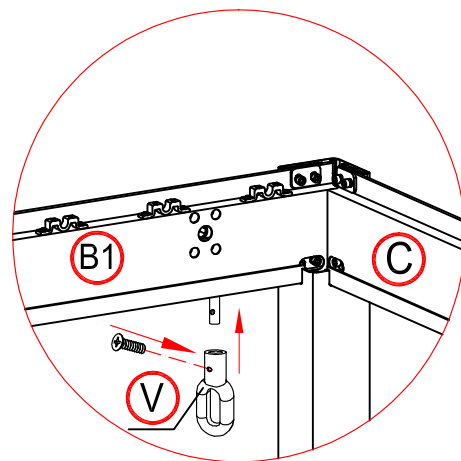
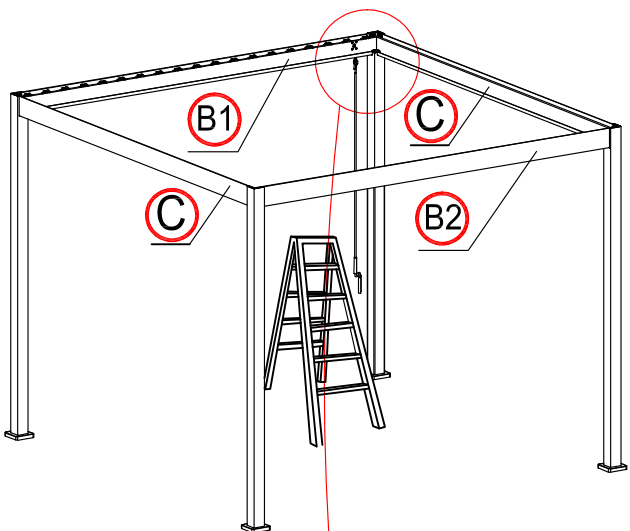
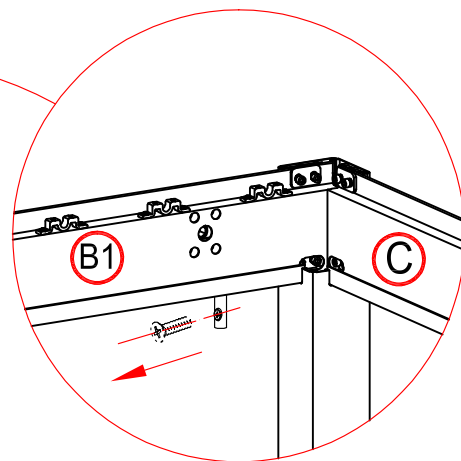
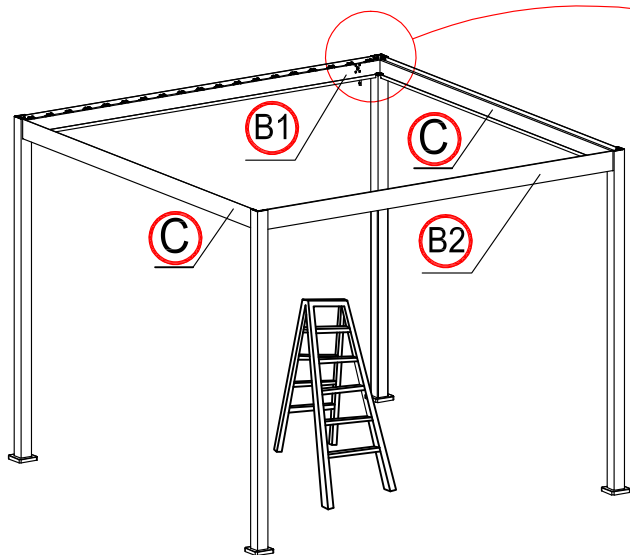




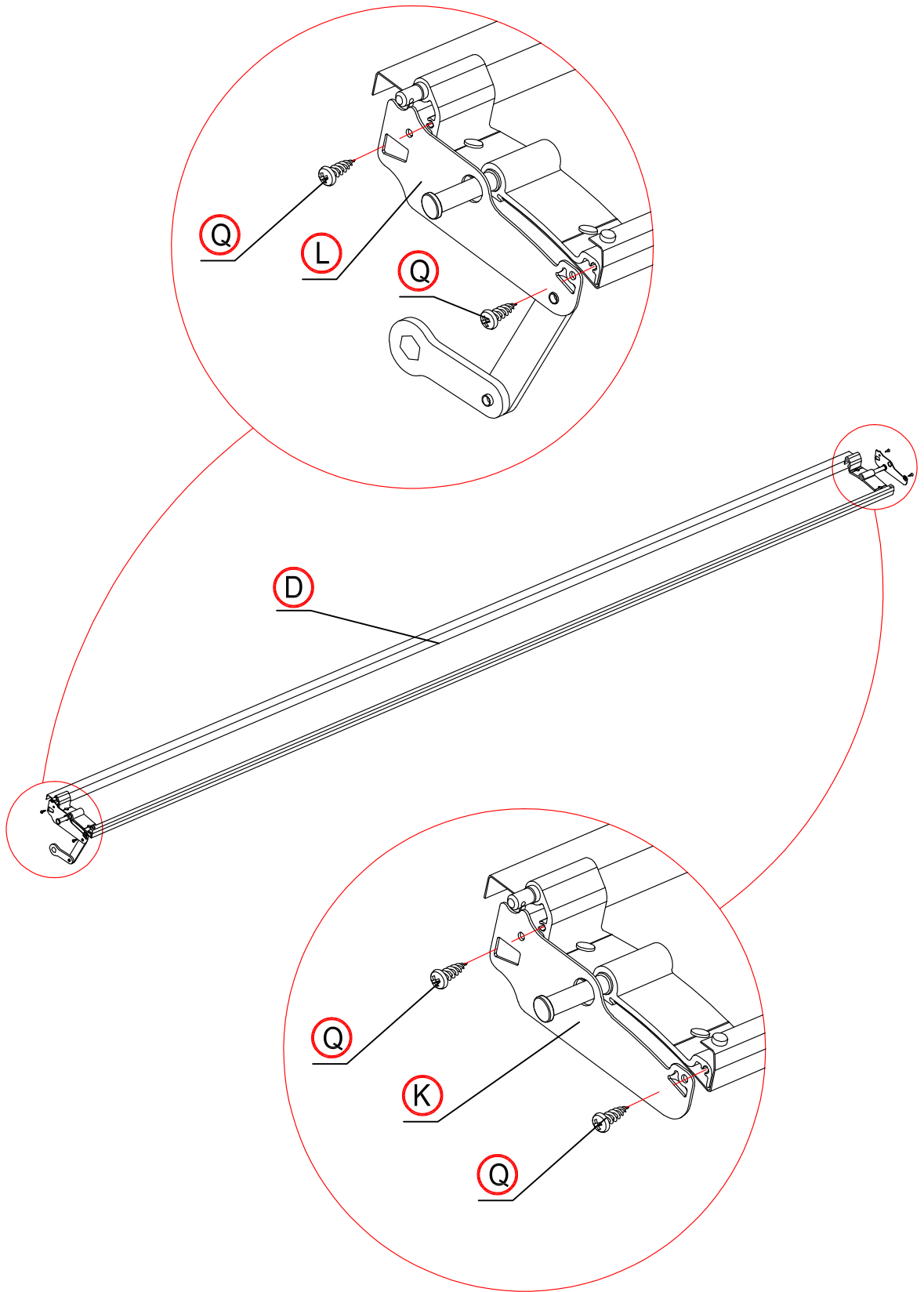
5



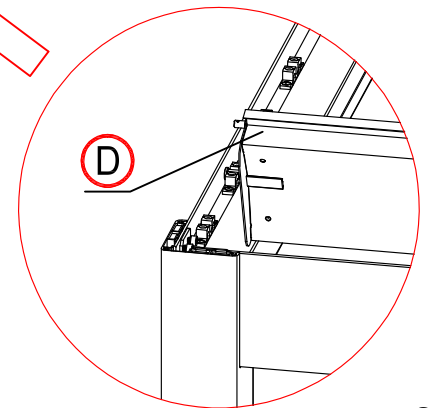
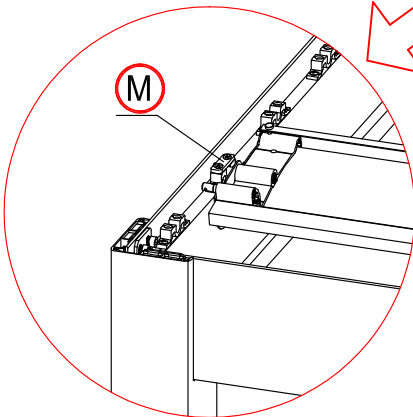
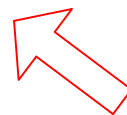
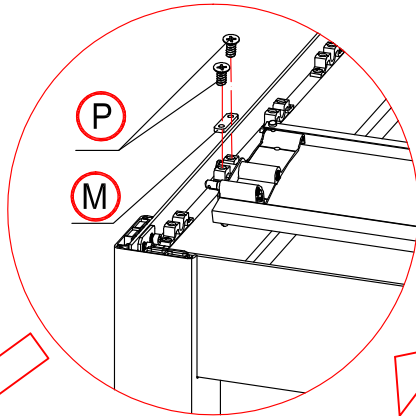
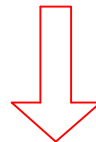
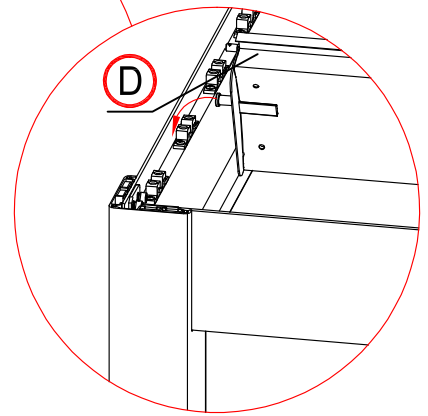
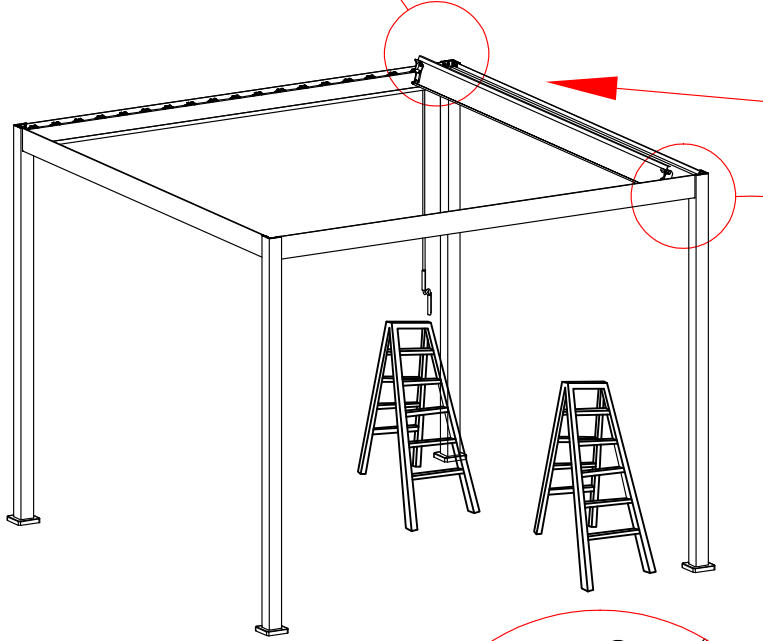
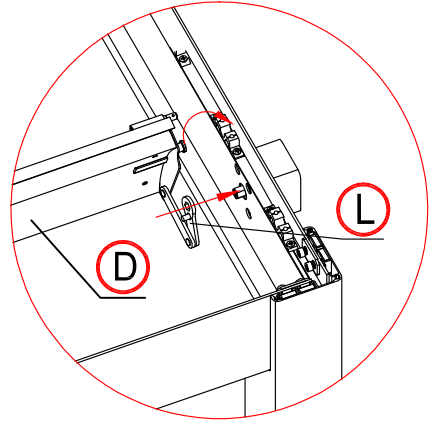
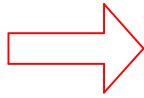
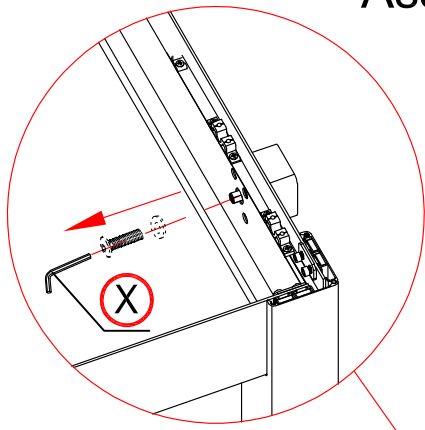


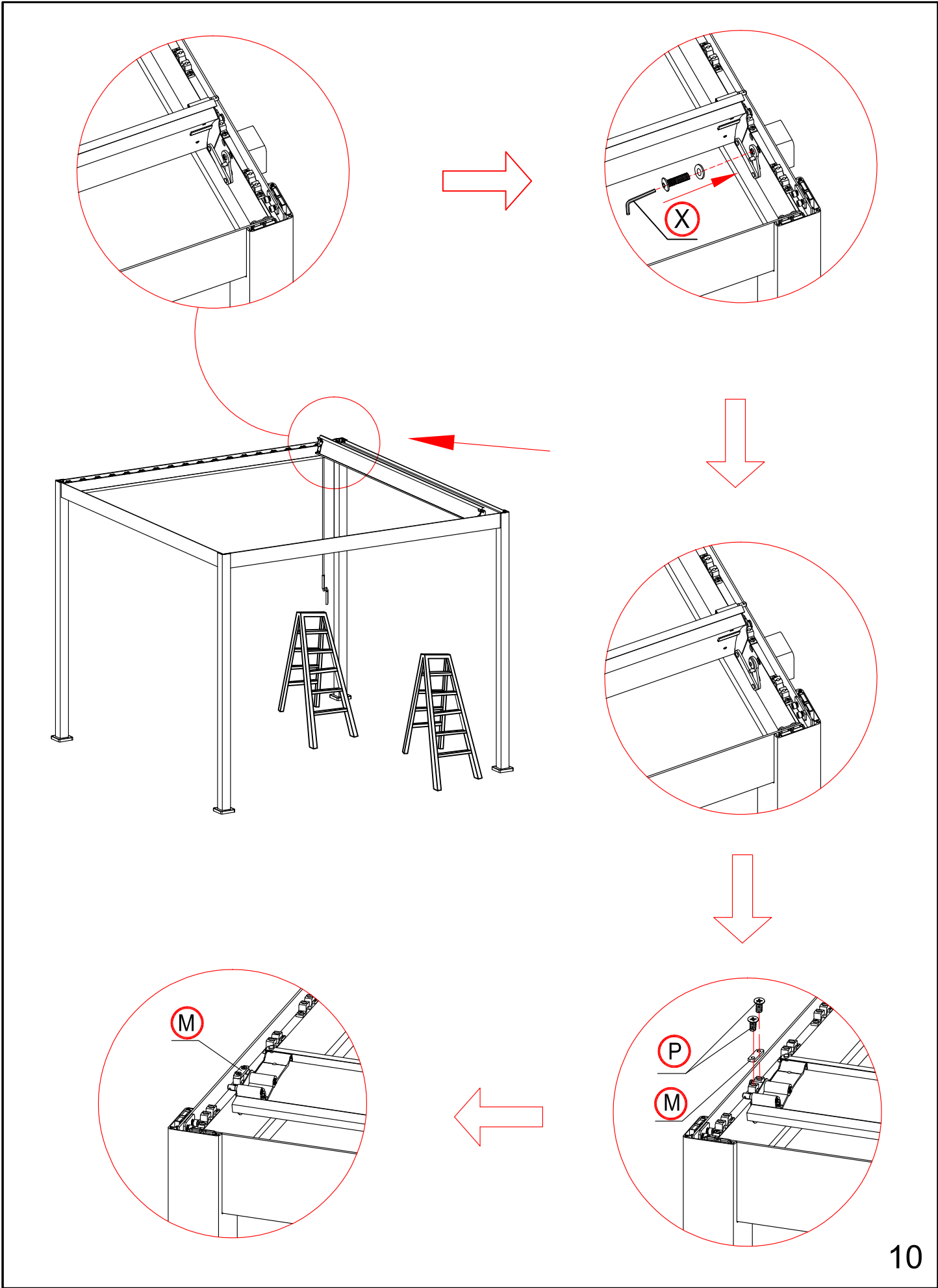


×1 time

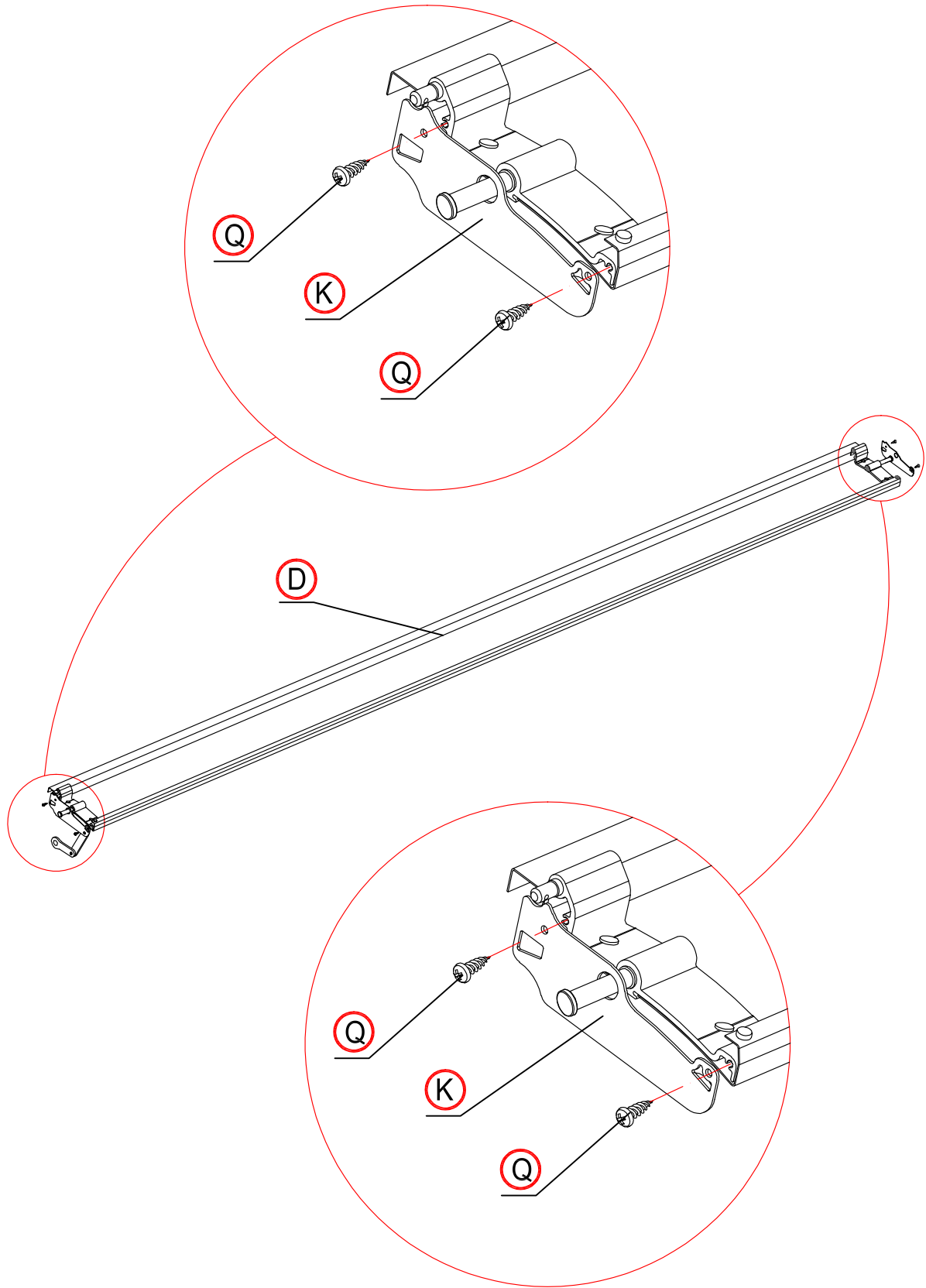


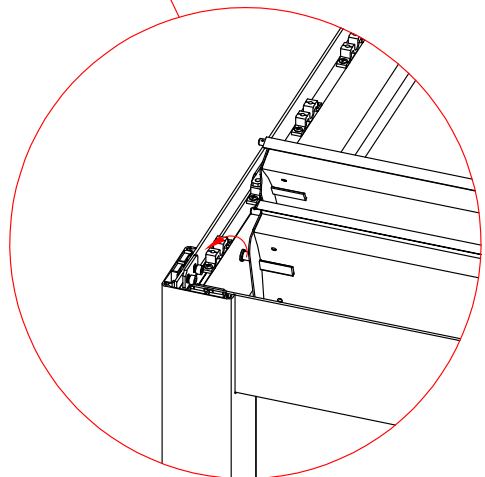
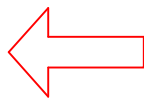
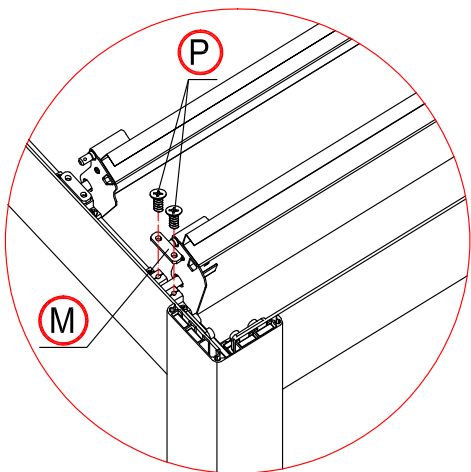
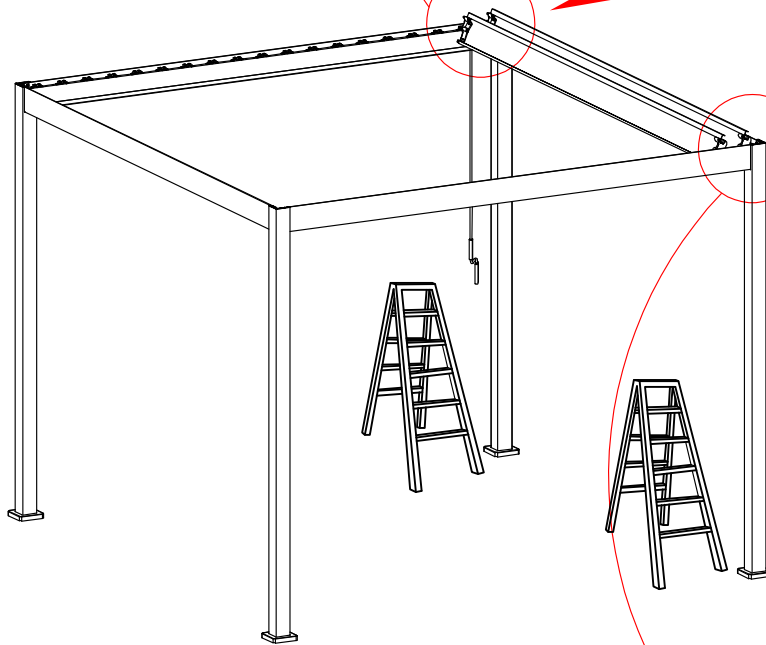
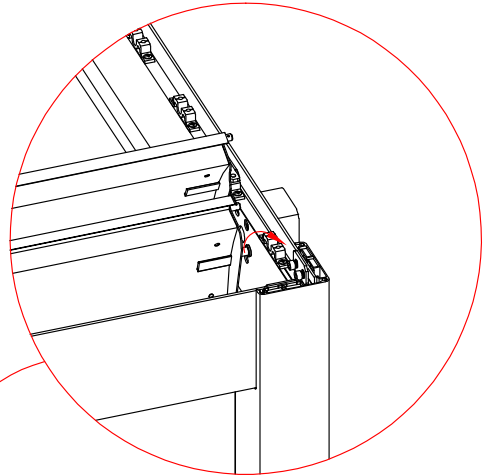
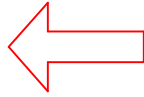
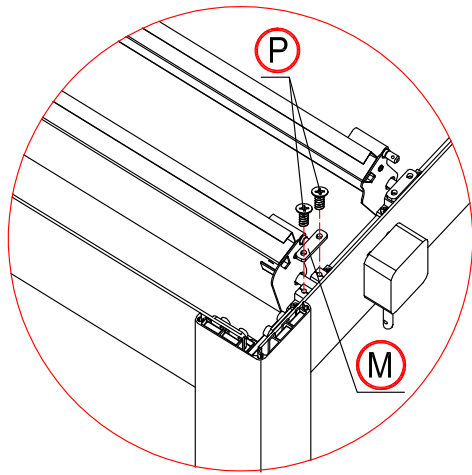
Assemble the second slice to the right.



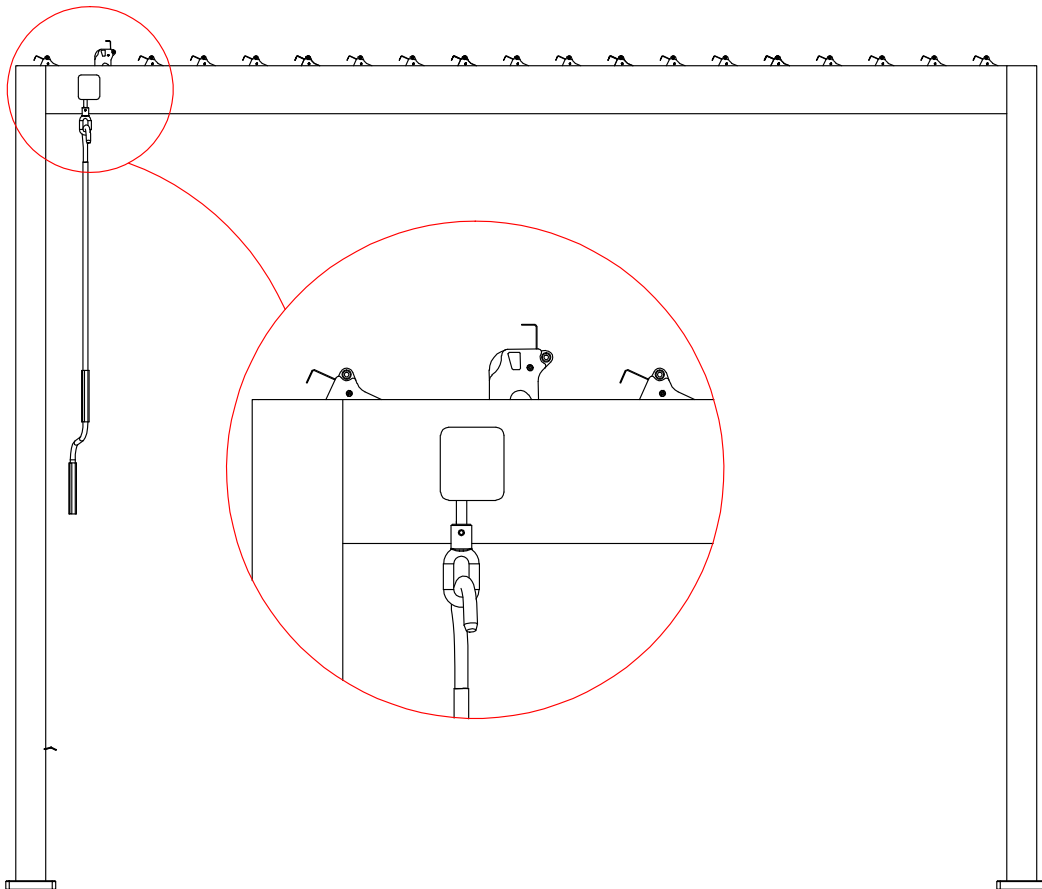


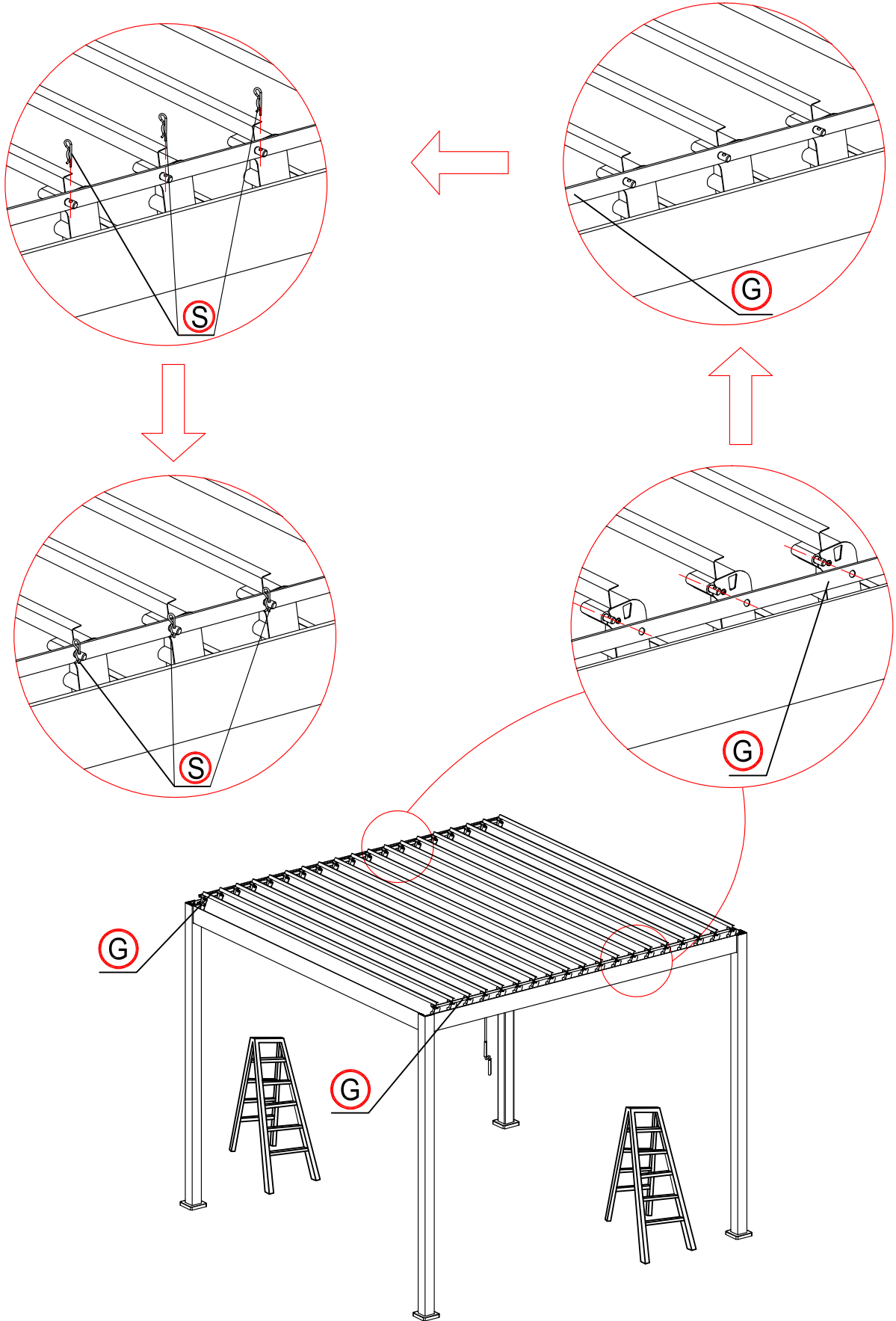
×18 times



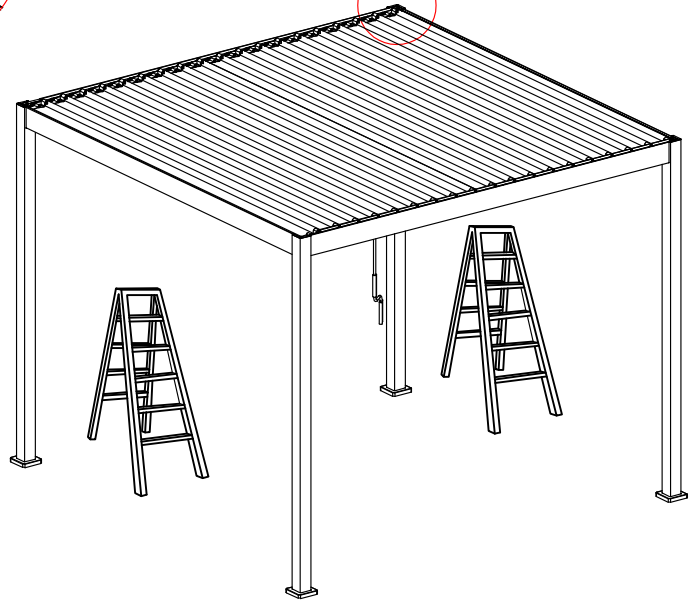
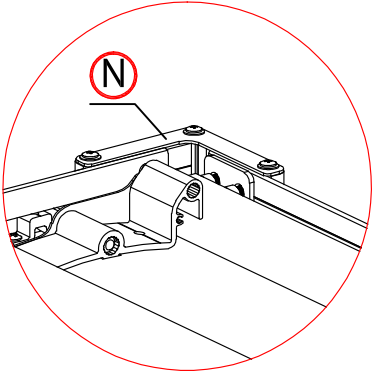
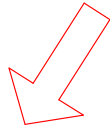
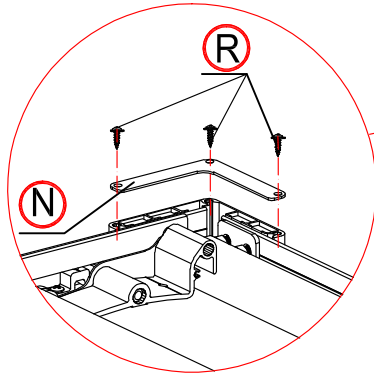


Make the shutter as vertical.



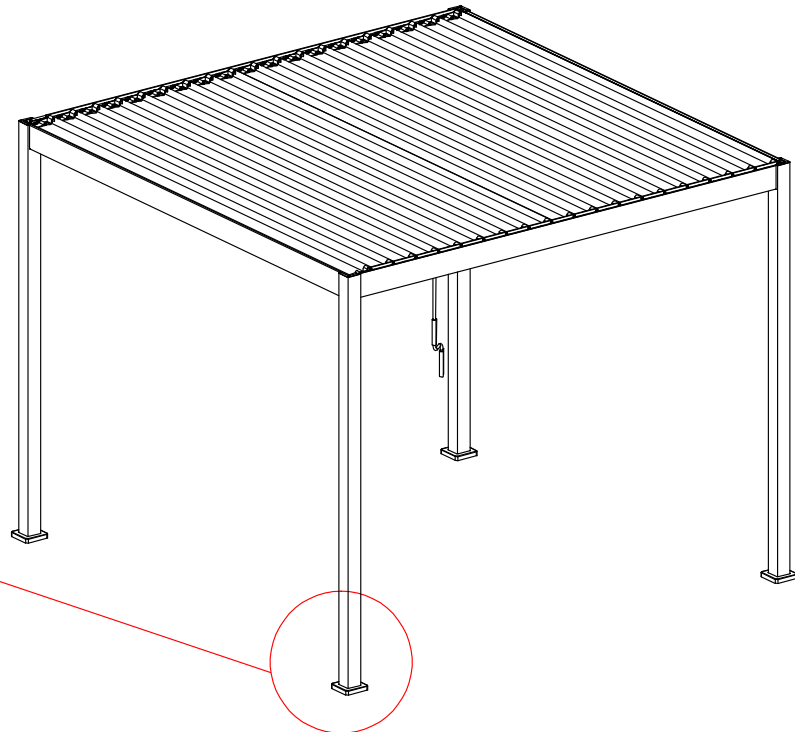
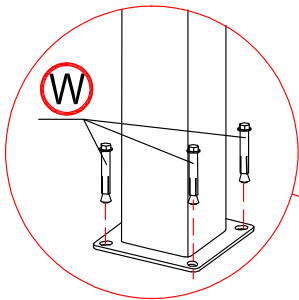


×4 times



15

×4 times



16

16