

# User Manual



**Half Milano Gazebo-285x400CM**  
**Product Code: MLG-2.85X4.0**



**Thanks for choosing Sorara products. We'd love to hear your thought and comments.  
If you are satisfied with our products and service, please let us know.  
If you have questions or feedbacks, we're here to help!  
Please, visit our website [www.sorara.eu](http://www.sorara.eu) for more information about our products.**

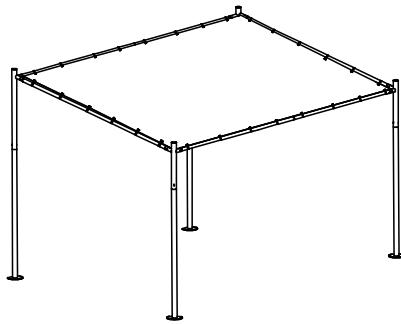


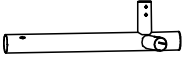
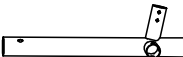

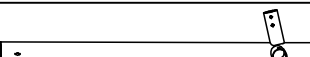
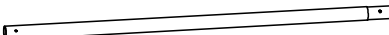












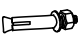



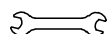

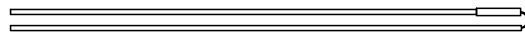

**Email: [info@sorara.eu](mailto:info@sorara.eu)**



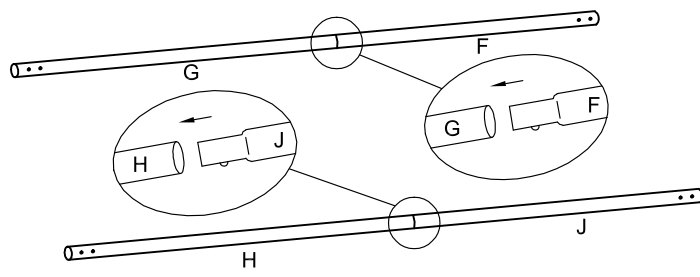
**Web: [www.sorara.eu](http://www.sorara.eu)**

## 2.85 x 4 m Tent

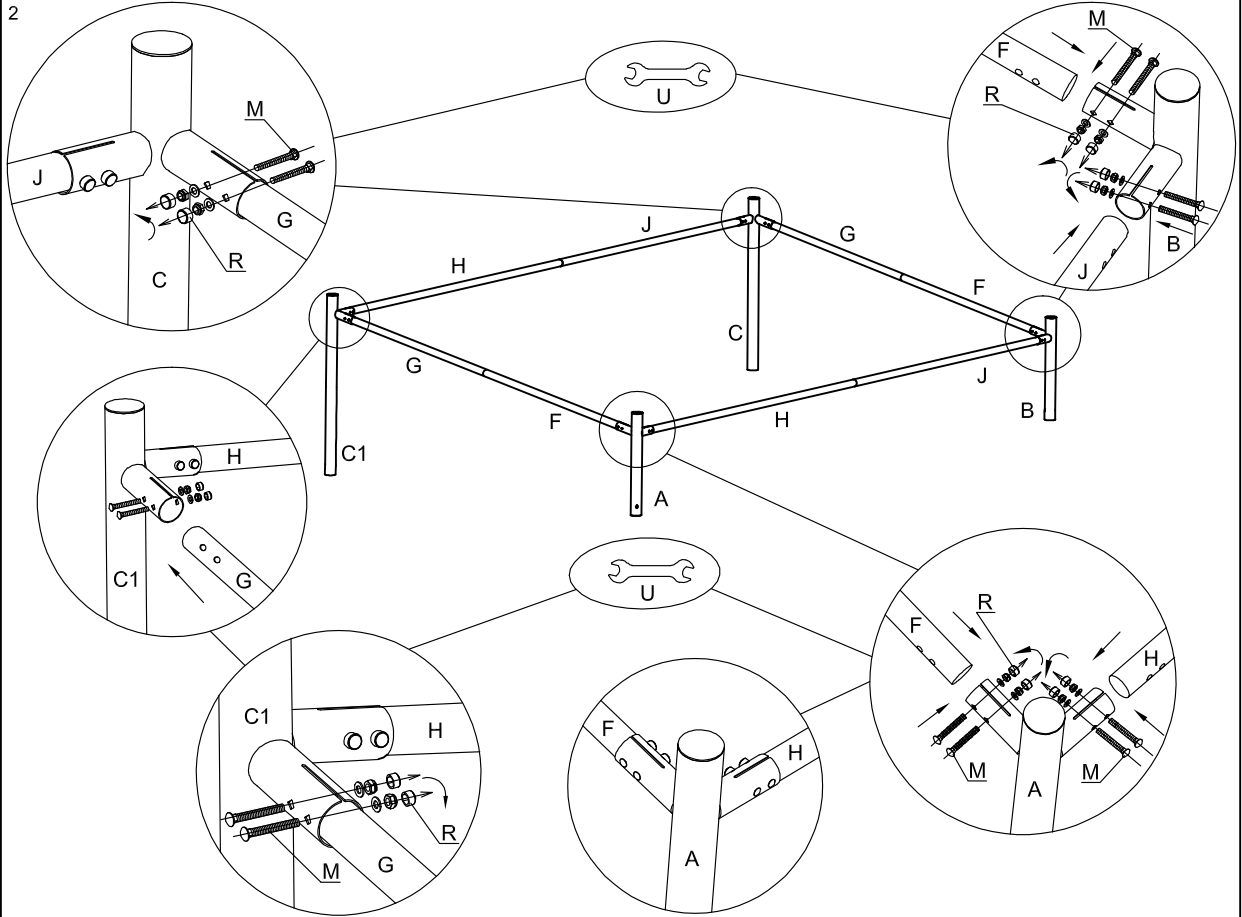


A		1
B		1
C		1
C1		1
D		4
E		2
F		2
G		2
H		2
I		2
J		2
K		1
L		1
M		16
N		4
O		8
P		28
Q		10
R		16
S		4
T		1
U		1
V		2
W		2
X		1

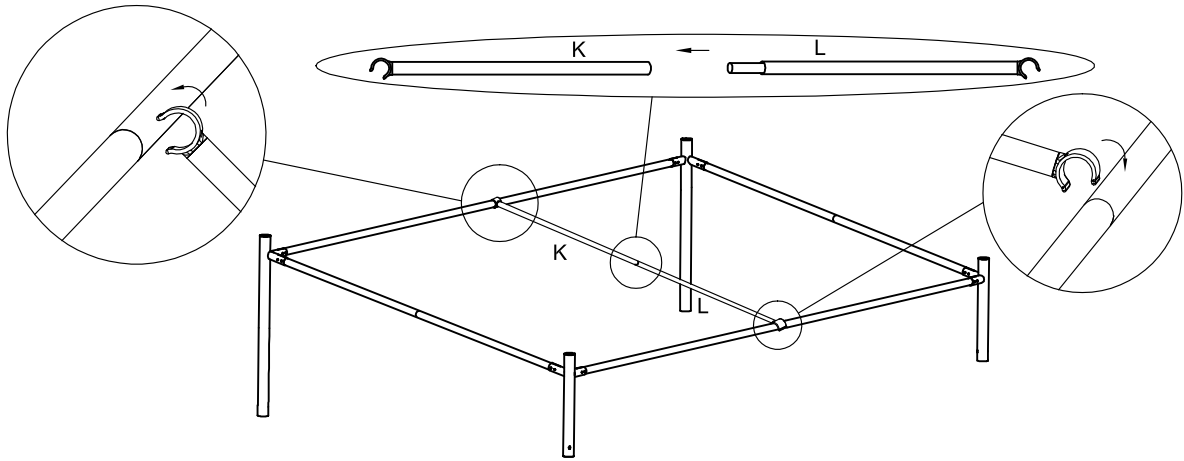
1



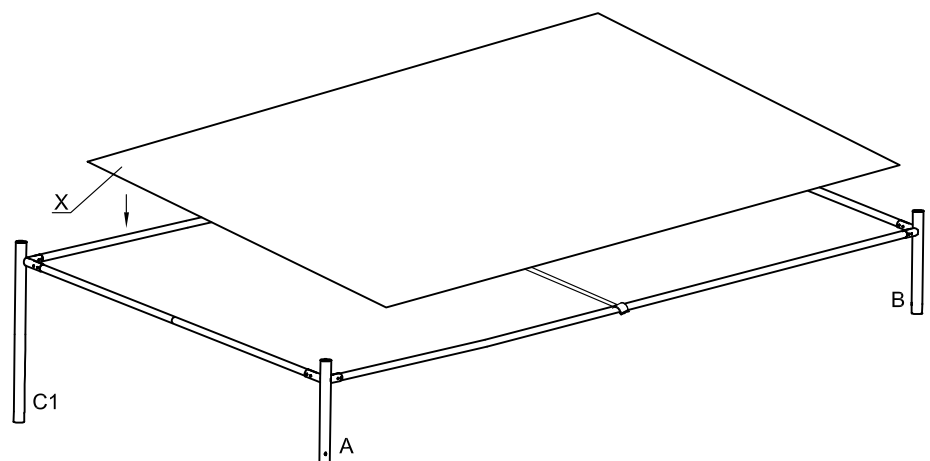
2



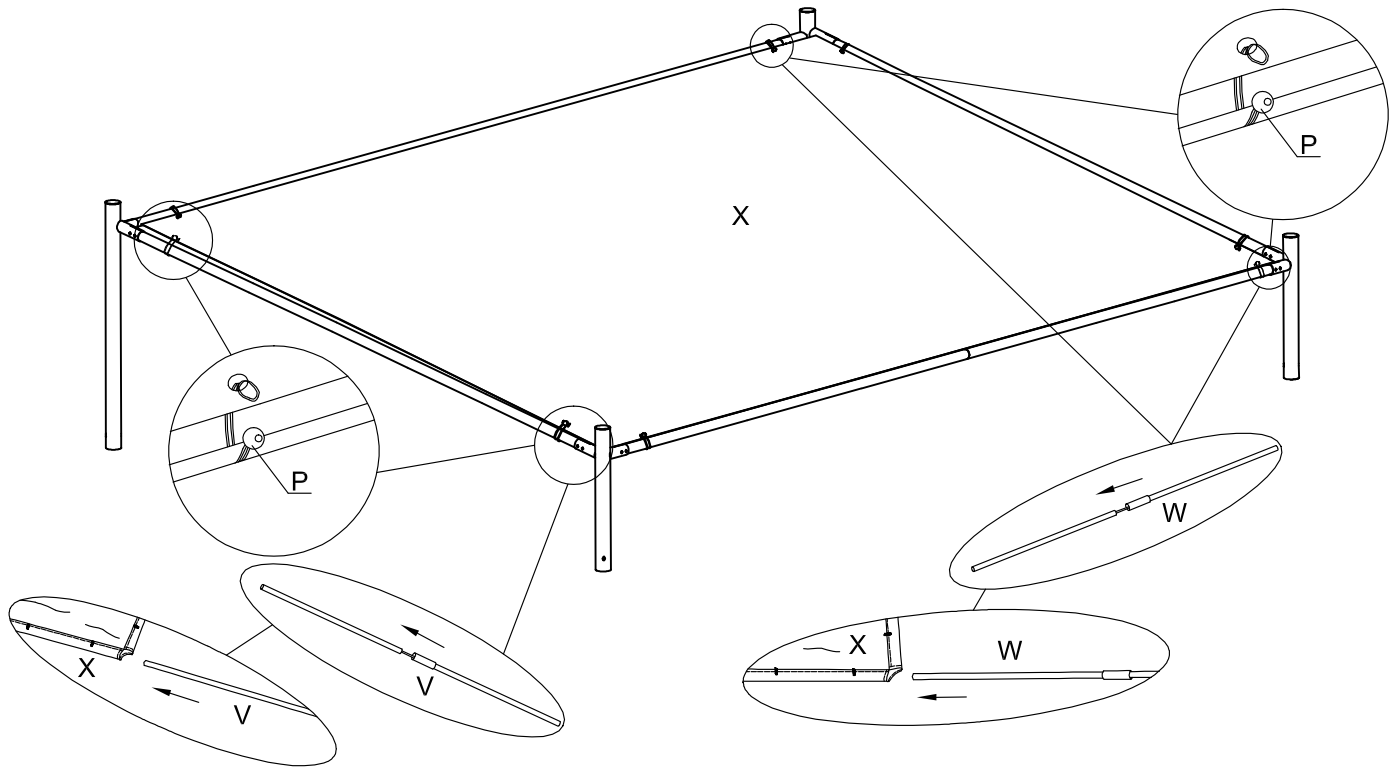
3



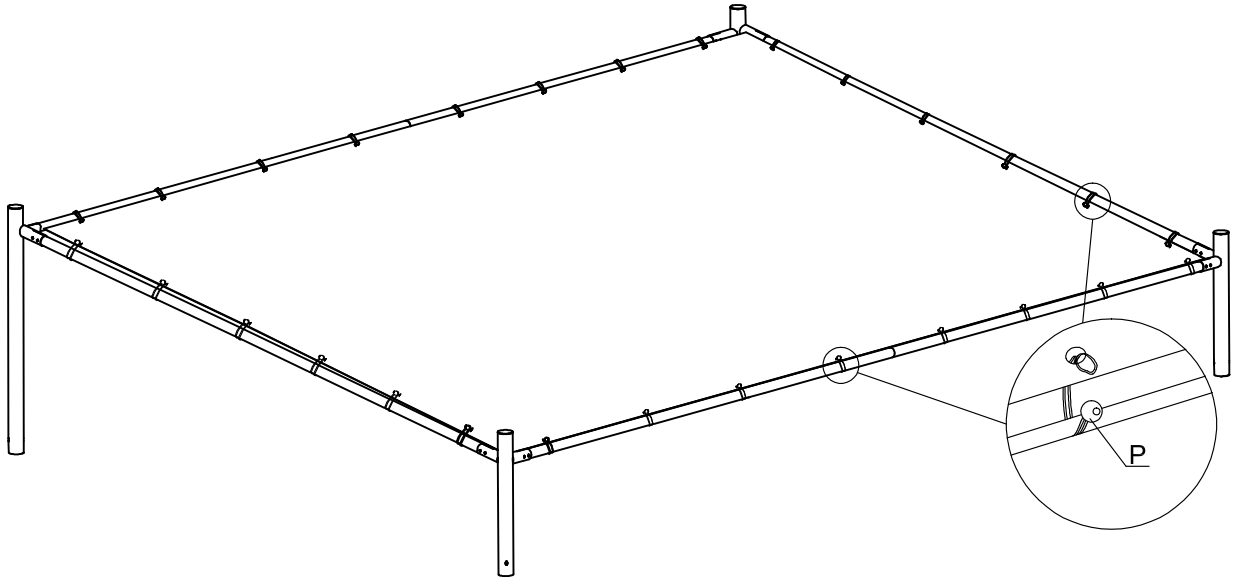
4



5



6



7

